

A photograph showing two people from behind, wearing white and yellow hard hats, looking at a large map or network diagram spread out on a table. The map features various colored lines (red, green, blue) and symbols representing a network layout. One person is pointing at a specific area on the map with a pen.

Cabelcon
An Amphenol Company

Wireless, HFC and Satellite Networks

Core Products



Contents

Cabelcon Wireless Portfolio	3
HFC Network Architecture	8
Cabelcon RF Trunk Portfolio	10
Cabelcon TrueSplit™ Portfolio	25
Cabelcon TrueDrop™ Portfolio	29
Cabelcon Satellite Portfolio	45

Cabelcon offers a comprehensive line of connectors, jumpers, and accessories for wireless, broadband communications and CATV systems. Our product portfolio addresses the challenges installers face in the field, from physical barriers around installation sites to adverse weather conditions. That's why our solutions are built with features that enable fast and easy installation, such as field-installable compression connectors requiring low activation force. Additionally, many of our products are available as preconnectorized solutions under our jumper portfolio.



Cabelcon Wireless Portfolio

Cabelcon's 50 Ohm wireless product series is available now.

Superior passive intermodulation (PIM) performance ensures efficient 5G data transfer at increased speeds.

While the mobile and wireless networks contend with increasing performance demands, like 5G upgrades, they still require 50 Ohm connectors and jumpers. The Cabelcon 50 Ohm portfolio delivers world-class performance to enhance your network reliability.

We are changing for you – get to know our NEW portfolio



Easier and Faster Installation



Superior Electrical Performance



Intelligent Design

RF DoubleClick Connectors	RF Compact Connectors
Easier and Faster Installation	
90-second installation time vs. less than five minutes for traditional connectors	90-second installation time vs. less than five minutes for traditional connectors
	20% size reduction compared to DoubleClick
Intelligent Design	
High-tech polymer ferrule: 360° seal at the cable jacket	High-tech polymer ferrules: 360-degree seal on the outer conductor, by an O-ring
DoubleClick technology: Dual Grip on outer conductor, allows a more stable connection for the best PIM performance	
“Super-sealing” interface: Creates a watertight interface with special polymer eliminating O-rings	
Superior Electrical Performance	
	Return loss (VSWR): 5-8 dB improvement vs. available solutions
	Intermodulation (PIM): 18 dB improvement vs. available solutions
Best-in-Class Plating	
	Nitin-6™ plating adds excellent corrosion resistance and long-term conductivity and reliability to the nut, brass gripper, and body of the connector
	White bronze inner conductor



52087840

Wireless 50 Ohm Portfolio

RF DoubleClick Connectors

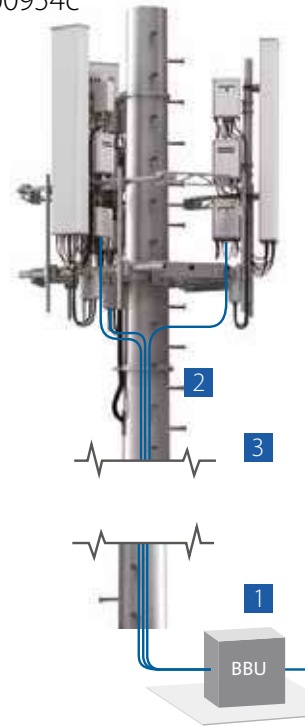
The 50 Ohm wireless connectors provide easy cable preparation and connector installation.

Available for use with various standard cables using standard interfaces, the connector features a two-piece design.

Address space concerns with our NEW Cabelcon RF Compact Connectors.

The tooling dramatically cuts the time required to prepare cable and the POM ferrule design eliminates the need to hammer a backnut onto the cable.

00954c



1 Base Band Unit

2 Remote Radio Head

- Wireless 50 Ohm connectors
- Wireless 50 Ohm jumpers

3 Antenna

- Wireless 50 Ohm connectors
- Wireless 50 Ohm jumpers

Interface Available						
7/16 (DIN)	4.1/9.5 (mini DIN)	4.3/10 (mini DIN)	N	Nex ¹⁰		
Available in; Male straight and right angle, Female in straight						
Cabelcon products are available for the following cable sizes:						
Connectors	¼ in	¾ in	½ in	7/8 in	1¼ in	1½ in
Jumpers	¼ in	¾ in	½ in	-	-	-

Parameter	Measurement Conditions	Cabelcon Compact 4.3/10M Connector	
		Better Than	Typical
Return Loss	50-1000 MHz	35 dB	37.8 dB
	1000-2000 MHz	30 dB	33.3 dB
	2000-3000 MHz	30 dB	33.3 dB
	3000-4000 MHz	30 dB	36.1 dB
	4000-5000 MHz	33 dB	36.1 dB
	5000-6000 MHz	35 dB	38.0 dB
Intermodulation	2 x 20 W	171 dBc	

Wireless Portfolio

RF DoubleClick Wireless Connectors and Tools

Cable Type	Item Number	Name	Description
1/2-in Super Flex	50041250-02	7/16M-412/50-DC	7/16 DIN Male DoubleClick Connector for 1/2-in Super flex cable
	50041251-02	90-7/16M-412/50-DC	90-degree Right angle 7/16 DIN Male DoubleClick Connector for 1/2-in Super flex cable
	52041250-02	7/16F-412/50-DC	7/16 DIN Female DoubleClick Connector for 1/2-in Super flex cable
	58041250-02	4.3/10M-412/50-DC	4.3/10 DIN Male DoubleClick Connector for 1/2-in Super flex cable
	58041251-02	90-4.3/10M-412/50-DC	90-degree Right angle 4.3/10 Male DoubleClick Connector for 1/2-in Super flex cable
	60041250-02	4.3/10F-412/50-DC	4.3/10 DIN Female DoubleClick Connector for 1/2-in Super flex cable
	76041250-02	NM/50-412/50-DC	N Male DoubleClick Connector for 1/2-in Super flex cable
	76041251-02	90-NM/50-412/50-DC	90-degree Right angle N Male DoubleClick Connector for 1/2-in Super flex cable
	78041250-02	NF/50-412/50-DC	N Female DoubleClick Connector for 1/2-in Super flex cable
	28041250	DUALSTRIP TOOL TYPE 412/50-DC	DualStrip Tool for 1/2-in Super flex cable for DoubleClick Connector
1/2-in Corrugated	50051250-02	7/16M-512/50-DC	7/16 DIN Male DoubleClick Connector for 1/2-in corrugated cable
	50051251-02	90-7/16M-512/50-DC	90-degree Right angle 7/16 DIN Male DoubleClick Connector for 1/2-in corrugated cable
	52051250-02	7/16F-512/50-DC	7/16 DIN Female DoubleClick Connector for 1/2-in corrugated cable
	58051250-02	4.3/10M-512/50-DC	4.3/10 DIN Male DoubleClick Connector for 1/2-in corrugated cable
	58051251-02	90-4.3/10M-512/50-DC	90-degree Right angle 4.3/10 Male DoubleClick Connector for 1/2-in corrugated cable
	60051250-02	4.3/10F-512/50-DC	4.3/10 DIN Female DoubleClick Connector for 1/2-in corrugated cable
	76051250-02	NM/50-512/50-DC	N Male DoubleClick Connector for 1/2-in corrugated cable
	76051251-02	90-NM/50-512/50-DC	90-degree Right angle N Male DoubleClick Connector for 1/2-in corrugated cable
	78051250-02	NF/50-512/50-DC	N Female DoubleClick Connector for 1/2-in corrugated cable
	28051251	DUALSTRIP TOOL TYPE 512/50-DC	DualStrip Tool for 1/2-in corrugated for DoubleClick Connector
7/8-in Corrugated	50087850-01	7/16M-878/50-DC	7/16 DIN Male DoubleClick Connector for 7/8-in corrugated cable
	50087851-01	90-7/16M-878/50-DC	90-degree Right angle 7/16 DIN Male DoubleClick Connector for 7/8-in corrugated cable
	52087850-02	7/16F-878/50-DC	7/16 DIN Female DoubleClick Connector for 7/8-in corrugated cable
	58087850-02	4.3/10M-878/50-DC	4.3/10 DIN Male DoubleClick Connector for 7/8-in corrugated cable
	58087851-02	90-4.3/10M-878/50-DC	90-degree Right angle 4.3/10 DIN Male DoubleClick Connector for 7/8-in corrugated cable
	60087850-02	4.3/10F-878/50-DC	4.3/10 DIN Female DoubleClick Connector for 7/8-in corrugated cable
	76087850-02	NM/50-878/50-DC	N Male DoubleClick Connector for 7/8-in corrugated cable
	78087850-01	NF/50-878/50-DC	N Female DoubleClick Connector for 7/8-in corrugated cable
	28087851	DUALSTRIP TOOL TYPE 878/50-DC	DualStrip tool for 7/8-in corrugated for DoubleClick Connector



50095850



50095850

Wireless Portfolio

RF DoubleClick Wireless Connectors and Tools

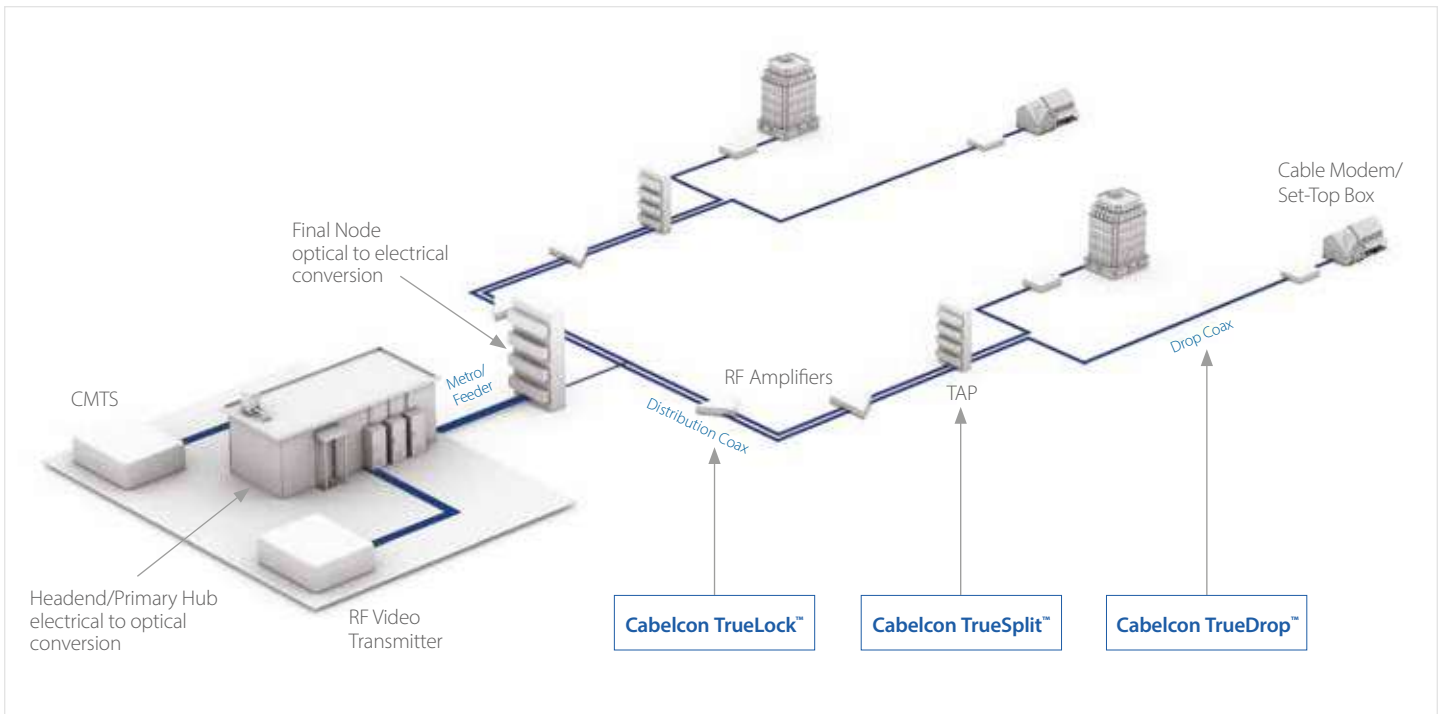
Cable Type	Item Number	Name	Description
1 1/4-in Corrugated	50091450-01	7/16M-914/50-DC	7/16 DIN Male DoubleClick Connector for 1 1/4-in corrugated cable
	52091450-01	7/16F-914/50-DC	7/16 DIN Female DoubleClick Connector for 1 1/4-in corrugated cable
	60091450-01	4.3/10F-914/50-DC	4.3/10 Female DoubleClick Connector for 1 1/4-in corrugated cable
	76091450-01	NM/50-914/50-DC	N Male DoubleClick Connector for 1 1/4-in corrugated cable
	78091450-01	NF/50-914/50-DC	N Female DoubleClick Connector for 1 1/4-in corrugated cable
	28091451	DUALSTRIP TOOL TYPE 914/50-DC	DualStrip Tool for 1 1/4-in corrugated for DoubleClick Connector
1 5/8-in Corrugated	50095850-01	7/16M-958/50-DC	7/16 DIN Male DoubleClick Connector for 1 5/8-in corrugated cable
	52095850-01	7/16F-958/50-DC	7/16 DIN Female DoubleClick Connector for 1 5/8-in corrugated cable
	60095850-01	4.3/10F-958/50-DC	4.3/10 Male DoubleClick Connector for 1 5/8-in corrugated cable
	76095850-01	NM/50-958/50-DC	N Male DoubleClick Connector for 1 5/8-in corrugated cable
	78095850-01	NF/50-958/50-DC	N Female DoubleClick Connector for 1 5/8-in corrugated cable
	28095851	DUALSTRIP TOOL TYPE 958/50-DC	DualStrip Tool for 1 5/8-in corrugated for DoubleClick Connector



50095850

HFC Network Architecture

In HFC applications like fibre deep or node+X, the RF connectivity choices you make at your headend, node, amp, and tap can dramatically impact your network's bottom line starting on day one, extending throughout its lifespan. Cabelcon addresses your specific needs through a comprehensive portfolio of hardline, splitters, connectors and recently upgraded hardline and drop jumper portfolios.



HFC New Product Releases – DOCSIS 4.0 Ready

Cabelcon TrueHybrid Jumpers

New jumpers with crimped connectors

- Higher power handling
- Improved design and cable size
- Enhanced connection system on inner/outer conductor reduces risk of noise/IMD in the network
- Maximum possible A++ shielding
- Connector cannot rotate
- High-contact surface
- Waterproof even after years of installation
- Simpler construction with less possibility for manufacturing issues

Cabelcon TrueDrop™ Jumpers

CX3™ portfolio upgrade and consolidation

- Round crimp connection between connector and cable
- Larger conical mating surface provides better alignment and O-ring seating
- Better F male thread engagement
- Dielectric stop disables dielectric push-through
- Grooved nut for better grip, easier tightening, and quicker installation
- Wider sleeve heel provides 360° electrical contact for all cables
- A++ jumper shielding





Cabelcon RF Trunk Portfolio

Covering most standard global cable manufacturers, our Cabelcon TrueLock™ and TrueHybrid Jumpers portfolio is available in all IEC and SCTE standard interfaces.

Cabelcon TrueLock™ Portfolio

Value Proposition

Performing to 3 GHz & minimising loss and maximum shielding – the TrueLock locking system is ready for DOCSIS 4.0+ full duplex



TrueLock locking system | ZA-3955



Rounded tabs in the locking system design provide proper seating | ZA-3954

Features and Benefits

Reduced tightening torque	Eases installation, especially in tight or difficult installation sites
Industry's first true locked connector	Prevents cable from turning during installation
Two-piece activator system	Provides for correct pressure when tightening connector and reduces risk of intermodulation distortion (IMD)
Multislot ferrule	Provides uniform grip on outer conductor and improves electrical performance
Multigrip seizing mechanism	Applies uniform grip on inner conductor and reduces risk of IMD
Backwards-compatible product	No new installation tools or training required
Utilises unique Nitin-6™ plating	Extremely resistant to chemical, salt, oils, and pollutants

TrueLock Connector Interfaces

Same industry-standard interfaces will be available on the TrueLock range as in previous Cabelcon connector offerings

3.5/12M	3.5/12F	5/8M	5/8MU	FM
FF	IEC14M	IEC14F	PG11MU	PG11MU

Cabelcon TrueLock™ Portfolio – General Specification

- A design requiring less torque to tighten to a full mechanical stop, which is especially useful in tight or difficult installation sites
- A locking mechanism that prevents the cable from turning when tightening the backnut
- A unique two-piece design that helps ensure correct pressure when tightening the connector
- No additional training required for installers

Technical Data Interface Type	Splice Connector and Reducer	IEC14 Connector	3.5/12 Connector	F Connector	5/8 + PG11 Male Pin — with (MU) or without Swivel Nut (M)
					
Transfer Impedance (CoMeT) 5-30 MHz	Class A++	Class A++	Class A++	Class A++	Class A++
Screening Attenuation (CoMeT) 30-3.000 MHz	Class A++	Class A++	Class A++	Class A++	Class A++
Intermodulation 3rd Order @ 2 x 37 dBm	< -160 dBc	< -160 dBc	< -160 dBc	< -160 dBc	< -160 dBc
Sealing Test (IEC IP-code)	IP X8 30 meter / 8 hour	IP X8 30 meter / 8 hour	IP X8 30 meter / 8 hour	IP X8 30 meter / 8 hour	IP X8 30 meter / 8 hour
Return Loss @ 1.0 GHz	< -30 dB	< -25 dB	< -35 dB	< -30 dB	< -30dB
Return Loss @ 2.0 GHz	< -20 dB	< -25 dB	< -30 dB	< -30 dB	< -28dB
Return Loss @ 3.0 GHz	< -20 dB	< -20 dB	< -30 dB	< -28 dB	< -25dB
Insertion Loss @ 1.0 GHz	< -0.10 dB	< -0.20 dB	< -0.08 dB	< -0.10 dB	< -0.10dB
Insertion Loss @ 2.0 GHz	< -0.10 dB	< -0.20 dB	< -0.08 dB	< -0.10 dB	< -0.10dB
Insertion Loss @ 3.0 GHz	< -0.12 dB	< -0.20 dB	< -0.10 dB	< -0.12 dB	< -0.12dB
Amp Rating @ 20 °C Increase	21A	10A	18A	7A	21A
Maximum Tensile Strength	> 50% better than cable spec.	> 50% better than cable spec.	> 50% better than cable spec.	> 50% better than cable spec.	> 50% better than cable spec.

General connector performance may change depending on cable type

Cabelcon TrueLock™ Connectors

Cable Type/ Interface	Splicer	IEC14M	PG11/IECM	IEC14F	3.5/12M	3.5/12F	FM	FF	5/8M	5/8MU	PG11M	PG11MU	NM	EM
-TL101	31000101-02				49010100-01		53010100-02		57010100-01		63010100-01	63010114-01		
-TL111	31000111-02						53011100-01							
-TL121	31000121-02				49012100-01		53012100-01		57012100-01					
-TL202	31000202-01	45020200-01		47020200-01	49020200-01	51020200-01	53020200-01	55020200-01	57020200-01	57020210-01	63020200-01	63020215-01	75020200-01	
-TL202FI					49020201-01		53020201-01							
-TL205					49020500-01				57020504-01					
-TL212	31000212-01	45021200-01			49021200-02		53021200-01	55021200-01	57021204-01		63021200-01	63021214-01		
-TL220STI					49022001-02		53022000-03		57022000-03					82022000-03
-TL222					49022200-02		53022200-02		57022200-02					
-TL232	31000232-01	45023200-01	45123200-01		49023200-02	51023200-01	53023200-01	55023205-01	57023204-01	57023214-01	63023200-01	63023214-01	75023200-01	
-TL238STI					49023803-02									
-TL243	31000243-01	45024300-01			49024300-01		53024300-01	55024300-01	57024304-01					
-TL244	31000244-01	45024400-01			49024400-01		53024400-02	55024400-01	57024404-01			63024414-01		
-TL245					49024500-01		53024500-01							
-TL246							53024600-01							
-TL250TI SHORT					49025002-01									
-TL303	31000303-01	45030300-01		47030300-01	49030300-02	51030300-01	53030300-02	55030300-01	57030304-01	57030314-01	63030304-01			
-TL303TI					49030312-01									
-TL306FI					49030601-01				57030601					
-TL309	31000309-01				49030900-01		53030900-01		57030900-01					
-TL310STI					49031001-01									
-TL312STI					49031201-01									
-TL313	31000313-01	45031300-01			49031300-01		53031300-01		57031304-01		63031300-01			
-TL319TI	31020319-01	45031902-01			49031902-01		53031902-01	55031902-01	57031902-01					
-TL322					49032200-01									
-TL326					49032600-01									
-TL343TI					49034302-01		53034300-01							
-TL363	31000363-01				49036300-01		53036300-01	55036300-01	57036303-01		63036304-01			
-TL383STI					49038300-01		53038300-01							
-TL402					49040200-01		53040200-01							
-TL404	31000404-01	45040400-01			49040400-01		53040400-01	55040400-01	57040404-01					
-TL406					49040600-01				57040604-01					
-TL412	31000412-01				49041200-01					57041214-01				



31000525



45052500-01



31000616-01
Splice



49038300-01 M



53030300-02 F

If a desired connector is not listed, please contact our customer care centre (+45 55 98 55 99) for availability.

Cabelcon TrueLock™ Connectors

Cable Type/ Interface	Splicer	IEC14M	PG11/IECM	IEC14F	3.5/12M	3.5/12F	FM	FF	5/8M	5/8MU	PG11M	PG11MU	NM	EM
-TL413	31000413-01	45041300-01			49041300-01	51041300-01	53041300-01	55041300-01	57041304-01	57041317-01		63041314-01		
-TL414	31000414-01	45041400-01			49041400-01		53041400-02	55041400-01	57041404-01	57041414-01	63041400-01	63041415-01		
-TL417STI	31020417-01				49041701-01		53041701-01							
-TL418					49041800-01	51041800-01								
-TL419TI	31020419-01	45041902-01			49041902-01		53041902-01	55041902-01	57041902-01					
-TL424	31000424-01	45042400-01			49042400-02		53042400-01	55042400-01	57042404-02					
-TL424FI					49042401-01									
-TL427	31000427-01				49042700-01		53042700-01	55042700-01						
-TL434	31000434-01													
-TL434TI		45043402-01			49043402-01					57043417-01				
-TL441TI		45044102-01			49044102-01			55044102-01						
-TL444	31000444-01	45044400-01			49044400-02		53044400-01	55044400-01	57044404-01					
-TL470TI					49047002-01									
-TL494STI	31010494-01	45049401-01			49049400-01		53049405-01	55049400-01	57049404-01					
-TL494TI					49049402-01									
-TL501					49050100-01									
-TL502					49050200-01				57050205-01					
-TL505	31000505-01				49050500-02		53050500-01	55050500-01				63050514-01		
-TL505TI	31021505-01	45050502-01			49050502-02		53050502-01	55050502-01		57050517-01				
-TL506TI	31020506-01				49050602-01				57050602-02					
-TL515	31000515-01	45051500-01		47051500-01	49051500-02	51051500-01	53051500-02		57051504-01					
-TL517STI					49051700-01		53051700-01		57051700-01					
-TL525	31000525-01	45052500-01		47052500-01	49052500-02	51052500-01	53052500-01	55052500-01	57052500-01	57052510-01		63052514-01		
-TL530TI					49053002-01									
-TL540TI SHORT	31020540				49054002-01		53054002-01		57054002-01	57054012-01				
-TL540TI	31030540	45054003			49054003-02		53054003-01	55054003	57054003-01	57054013-01				
-TL606					49060600-01		53060600-01							
-TL609TI	31020609-01				49060902-01				57060904-01					
-TL610TI					49061002-01		53061002-01		57061002-01					
-TL611STI					49061102-01		53061102-01		57061100-01					
-TL612		45061200-01		47061200-01	49061200-01	51061200-01	53061200-01							
-TL616	31000616-01	45061600-01		47061600-02	49061600-01		53061600-01		57061600-01	57061614-01	63061600-01			
-TL619TI	31020619-01				49061902-01				57061902-01					



31000525



45052500-01



31000616-01
Splice



49038300-01 M



53030300-02 F

If a desired connector is not listed, please contact our customer care centre (+45 55 98 55 99) for availability.

Cabelcon TrueLock™ Connectors

Cable Type/ Interface	Splicer	IEC14M	PG11/IECM	IEC14F	3.5/12M	3.5/12F	FM	FF	5/8M	5/8MU	PG11M	PG11MU	NM	EM
-TL626	31000626-01				49062600-01				57062600-01					
-TL636	31000636-01				49063600-01				57063600-01					
-TL646	31000646-01				49064600-01		53064600-01	55064600-01	57064600-01	57064614-01				
-TL655	31000655-01				49065500-01		53065500-01	55065500-01	57065504-01					
-TL666TI					49066602-02					57066614-01				
-TL676	31000676-01				49067600-01			55067600-01						
-TL696STI					49069603-01		53069602-01							
-TL701					49070100-02									
-TL702TI					49070202-02									
-TL703STI					49070300-03									
-TL704TI									57070402-01					
-TL705FI					49070501-02									
-TL706STI					49070601-02				57070601-01					
-TL707					49070700-02				57070700-01					
-TL707TI					49070702-02				57070707-01					
-TL711STI					49071102-01									
-TL717					49071700-02									
-TL719TI					49071902-02				57071904-01					
-TL730TI					49073002-02									
-TL777TI					49077702-02									
-TL787TI	31020787-01				49078702-02				57078707-01	57078717-01				
-TL797TI					49079702-02									
-TL802STI					49080205-02									
-TL808					49080800-02									
-TL818					49081800-02									
-TL828	31000828-02			47082800-01	49082800-02					57082814-02				
-TL830TI					49083002-02									
-TL838TI					49083802-01									
-TL858					49085800-02									
-TL888TI					49088802-02									
-TL898TI					49089802-02									
-09					49090900									



31000525



45052500-01



31000616-01
Splice



49038300-01 M



53030300-02 F

If a desired connector is not listed, please contact our customer care centre (+45 55 98 55 99) for availability.

Cabelcon TrueLock™ Splice Reducers

Cable Type	Cable Type SR	Item Number	Item Name/Description
-TL101	-TL111	33000500-02	SR TL101-TL111
	-TL202	33001000-01	SR TL101-TL202
	-TL212	33002000-01	SR TL101-TL212
	-TL232	33003200-01	SR TL101-TL232
	-TL243	33003915-01	SR TL101-TL243
	-TL303	33004000-01	SR TL101-TL303
	-TL313	33005000-01	SR TL101-TL313
	-TL363	33006000-01	SR TL101-TL363
	-TL404	33007000-01	SR TL101-TL404
	-TL413	33010700-01	SR TL101-TL413
	-TL444	33010708	SR TL101-TL444
	-TL505	33011000-01	SR TL101-TL505
	-TL525	33013000-01	SR TL101-TL525
	-TL646	33019000-01	SR TL101-TL646
-TL655	33014500-01	SR TL101-TL655	
-TL111	-TL202	33026040-01	SR TL111-TL202
-TL202	-TL212	33026500-01	SR TL202-TL212
	-TL232	33026650-01	SR TL202-TL232
	-TL303	33027000-01	SR TL202-TL303
	-TL303	33028000-01	SR TL202-TL313
	-TL404	33030000-01	SR TL202-TL404
	-TL413	33033530-01	SR TL202-TL413
	-TL414	33031000-01	SR TL202-TL414
	-TL505	33034000-01	SR TL202-TL505
	-TL525	33036000-01	SR TL202-TL525
	-TL655	33037500-01	SR TL202-TL655
	-TL787TI	33036003-01	SR TL202-TL787TI
	-TL616	33072691-01	SR TL205-TL616
	-TL232	33071295-01	SR TL212-TL232
	-TL404	33054000-01	SR TL212-TL404
-TL413	33057200-01	SR TL212-TL413	
-TL434	33057210-01	SR TL212-TL434	
-TL444	33057390-01	SR TL212-TL444	
-TL505	33058000-01	SR TL212-TL505	
-TL636	33064500-01	SR TL212-TL636	

Cable Type	Cable Type SR	Item Number	Item Name/Description
-TL232	-TL246	33071380-01	SR TL232-TL246
	-TL303	33071650-01	SR TL232-TL303
	-TL313	33071675-01	SR TL232-TL313
	-TL363	33071700-01	SR TL232-TL363
	-TL404	33072000-01	SR TL232-TL404
	-TL413	33072358-01	SR TL232-TL413
	-TL419TI	35007210-01	SR TL232-TL419TI
	-TL444	33072350-01	SR TL232-TL444
	-TL506TI	35007505-01	SR TL232-TL506TI
	-TL525	33072550-01	SR TL232-TL525
	-TL540TI	35007500-01	SR TL232-TL540TI
	-TL646TI	33072595-01	SR TL232-TL646
	-TL676	33072598-01	SR TL232-TL676
	-TL243	-TL232	33071296-01
-TL244	-TL413	33071331-01	SR TL243-TL413
	-TL212	33026640-01	SR TL244-TL212
-TL303	-TL232	33026654-01	SR TL244-TL232
	-TL404	33073000-01	SR TL303-TL404
-TL313	-TL413	33076500-01	SR TL303-TL413
	-TL414	33074000-01	SR TL303-TL414
	-TL303	33072670-01	SR TL313-TL303
	-TL414	33095000-01	SR TL313-TL414
-TL319TI	-TL424	33095003-01	SR TL313-TL424
	-TL419TI	33076610-01	SR TL319TI-TL419TI
-TL363	-TL414	33110300-01	SR TL363-TL414
-TL404	-TL413	33112020-01	SR TL404-TL413
-TL414	-TL419TI	33119502-01	SR TL414-TL419TI
	-TL424	33119500-01	SR TL414-TL424
	-TL616	33123000-01	SR TL414-TL616
-TL506TI	-TL540TI	33135400-01	SR TL506TI-TL540TI
-TL515	-TL616	33130600-01	SR TL515-TL616
-TL525	-TL303	33079000-01	SR TL303-TL525
	-TL616	33132000-01	SR TL525-TL616
	-TL646	33132400-01	SR TL525-TL646
-TL655	-09	33090600-01	SR TL655-09
	-TL636	33136600-01	SR TL655-TL636
	-TL646	33136610-01	SR TL655-TL646
	-TL808	33136670-01	SR TL655-TL808

If a desired connector is not listed, please contact our customer care centre (+45 55 98 55 99) for availability.



33064500-01

Cabelcon TrueLock™ Tools

- DualStrip™ tool
- Coring and stripping tool
- Torque wrench
- Conductor cleaner
- Installation tools available for all hardline connectors



28052575



98107300-01



98107300-01A

Product Name/Type	Part Number
Coring and Stripping Tool -TL319TI	98103060-01
Coring and Stripping Tool -TL494 TI	98104150-01
Coring and Stripping Tool -TL540TI Short	98105400-03
Coring and Stripping Tool -TL540TI	98107300-01
Coring and Stripping Tool -TL383STI	98110200-03
Coring and Stripping Tool -TL220STI	98120102-01
Coring and Stripping Tool -TL517STI	98120405-01
Coring and Stripping Tool -TL611STI	98120505-01
DualStrip™ Tool -TL212 / -TL243	28021275
DualStrip Tool -TL303	28030375
DualStrip Tool -TL363	28036375
DualStrip Tool -TL515	28051575
DualStrip Tool -TL525	28052575
Shrink Sleeve TCS-7 19/6-75S 120 cm	97100245
Grounding Ring Type 2	98028562
Grounding Ring Type 3	98028563
Grounding Ring Type 4	98028564
Grounding Ring Type 5	98028565
Grounding Ring Type 6	98028566
Nut and Washer for 5/8 in	99900555

Cabelcon TrueLock™ Portfolio – Supported Cable Brands

Compatibility with Most Coaxial Cable Manufacturers

We are able to provide hardline trunk solutions for most legacy coaxial cable in all of the world. In the case you do not find your supplier on this extensive list, we are happy to help you identify the right solution for you.

ABB	CAVICEL S.p.A.	Huber + Suhner	Pope
Acome	CCH Dour	Ikusu	RFR
Alcatel-Lucent Enterprise	CommScope	Interkabel	RFS Kabelmetal
Amphenol Broadband Solutions	Condumex Inc.	ITC Thermo Cable GmbH	SAT World
Andrew Cables	Czech Cable	Kabelwerk Eupen AG	Satlan
Axing AG	Delta Group	Kabel Rheydt (Nexan)	Siemens
Becker Varis	DKT Comega	Katherein	Sytronic Kabel GmbH
Bedeia	Draka Comteq B.V.	Klas Kablo	TechniSat
Belden	Dätwyler	Leoni AG	Tianjie Cable
Beta LaserMike (NDC Technologies)	EET Europarts	Macab	TKF Connectivity Solutions
Beta Cavi	Ericsson	NEK Kabel AS	Triax
Bieffe Cavi	F&G	Nexans	Trilogy Communications
Bosch	FMC	Nexans Schweiz AG	Vacha Kabel GmbH
Braun teleCom GmbH	Fracarro	NK Communications	Volex
Cablerie Seneffoise	Francofa Eurodis	NK Networks	Webro
CAE Group	Fuba	NKF Kabel B.V.	Wilhelm Sihh Jr. GmbH
Cavel	Fujikura	NKT Cables	Witronic AG
Cavi Europack	G.ecol.cables S.r.l.	Nordix S. A.	
	Hansen Technology Co. Ltd	Ören Kablo	
	Hirschmann	Pirelli	

To order the appropriate connector for your cable, please use one of the following options:

1. Click here: www.Cabelcon.com
2. Contact our customer care centre:
CCcustomer@cabelfon.com
+ 45 55 98 55 99

New TrueHybrid Jumpers

Features and Value Proposition

- Higher power handling
- Improved design and cable size
- Enhanced connection system on inner/outer conductor, reduces risk of noise/IMD in the network
- Maximum possible A++ shielding
- Connector cannot rotate
- High contact surface
- Unable to have water penetration even after years of installation
- One of the most flexible jumpers on the market
- Designed for installation in tight spaces
- Available from 0.3 m to 10 m
- Soldered innerconductor for stable performance over time

Benefits

- Space savings — shorter connector
- Reduced need for right-angled connectors due to space savings
- Cable flexibility ensures optimal patch management

Item no.	84575708	Jumper type	5/8MU-THJP-5/8MU/0.8
		With cable	280063

Frequency Range	0.3 - 3000 MHz
Impedance (Nom.)	75 Ohm
Amp. Rating (measured)	12.0 A @10°C increase
(calculated)	16.9 A @20°C increase



Transfer Impedance (CoMeT)	Class A++
	<0.9 mΩ/m @ 5-30MHz
	<0.72 mΩ/item @ 5-30MHz
Screening Attenuation(CoMeT)	Class A++
	<105 dB @ 30-1000MHz
	< 95 dB @ 1000-2000MHz
	< 85 dB @ 2000-3000MHz

Return Loss (IEC 61169-1)	Better than	Typical
0.3 - 500 MHz	-28 dB	-30.6 dB
500 - 860 MHz	-28 dB	-30.6 dB
860 - 1000 MHz	-28 dB	-30.6 dB
1000 - 1750 MHz	-23 dB	-26.1 dB
1750 - 2150 MHz	-21 dB	-24.0 dB
2150 - 3000 MHz	-16 dB	-18.8 dB

Insertion Loss Max.	Better than	Typical
0.3 - 500 MHz	-0.16 dB	-0.11 dB
500 - 860 MHz	-0.20 dB	-0.15 dB
860 - 1000 MHz	-0.22 dB	-0.17 dB
1000 - 1750 MHz	-0.30 dB	-0.25 dB
1750 - 2150 MHz	-0.34 dB	-0.29 dB
2150 - 3000 MHz	-0.47 dB	-0.42 dB

Temperature Installing	-5° to +50° C
Operating	-40° to +70° C
Storing	-40° to +70° C

Intermodulation 3rd Order (@2x+30dBm)	IM3	-146 dBc
---------------------------------------	-----	----------

Sealing Test (IEC IP-code)	IP X8 30 meter / 8 hours
----------------------------	--------------------------

Inner Conductor Resistance (@ 1 A DC)	< 14.0 Cable data
---------------------------------------	-------------------

Insulation Resistance (@ 500 VDC)	>200 GΩ
-----------------------------------	---------

O-rings	EPDM
---------	------

Dielectric Strength DC Test Voltage	> 2.0 KV
-------------------------------------	----------

Base Material	
Body Parts	Brass
Inner Conductor	Brass

Max. Tensile Strength Overall	< 55 Kgf > 540 N
-------------------------------	---------------------

Plating	
Body Parts	Nitin
Inner Conductor	Nitin

Torsional Strength (Connector / Cable)	* NATM
--	--------


Insulators	PE / PP with Glass
------------	--------------------







Test performed by Approved by	Susanne Lindharth Søren Baldus-Kunze
Date of release	April 23, 2024

Remarks * Not Able To Measure(NATM): The cable starts to twist without the connector loosing its grip. Tensile strength can be limited by the strength of the cable. Please refer to the cable data.

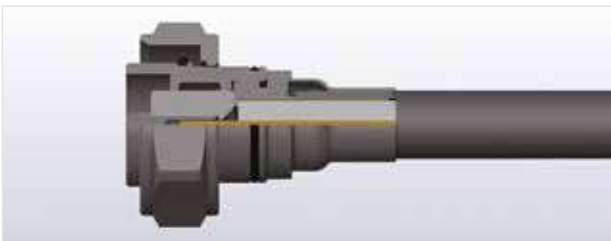
*Connector designed according to the standard
All tests performed using instruments calibrated in accordance to our ISO 9001 certification.
Further technical specifications and installation instructions can be obtained on request.*

New TrueHybrid Jumpers – Technical Specs

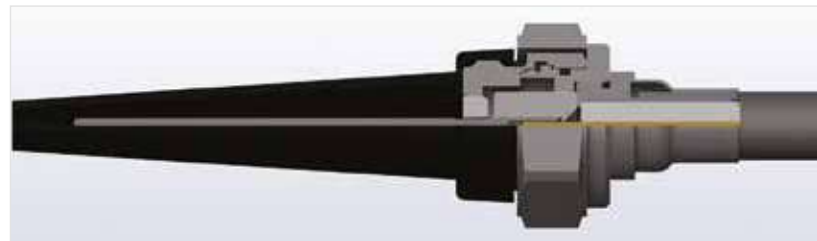
TrueHybrid Jumper Cable Attributes									
Cable Types	Centre Conductor	Insulation	1.Screen	2.Screen	3.Screen	Jacket	Transfer impedance	Shielding	Photo
RG7Cu Black PVC	Solid Copper	Gas Injected	Bonded	Annealed Copper	Not Bonded	PVC Black	Class A++	Class A++	
	Diameter 1.21 mm	Foam PE	CuPet foil	Wire 69%	CuPet foil	Diameter 8.2 mm			

Technical Data (average values)	3.5/12 Male	3.5/12 Female	5/8 Male swivel PG11 Male swivel	5/8 Female	F Male	IEC Male
						
Transfer impedance (CoMet) 5-30 Mhz	A++	A++	A++	A++	A++	A++
Screening attenuation (CoMet) 30-3000 Mhz	A++	A++	A++	A++	A++	A++
Intermodulation 3rd order @ 2x 30 dBm	-150 dBc	-150 dBc	-150 dBc	-150 dBc	-130 dBc	-150 dBc
Amp. Rating @ 10 / 20 degree C increase	12A / 17A	12A / 17A	12A / 17A	12A / 17A	5A / 7A	8A / 11A
Sealing Test (IEC IP-code)	IP X8 30 m / 8 hour	IP X8 30 m / 8 hour	IP X8 30 m / 8 hour	IP X8 30 m / 8 hour	IP X8 30 m / 8 hour	IP X8 30 m / 8 hour
Return Loss 5-1.000 MHz (0.6m jumper)	-30 dB	-30 dB	-30 dB	-30 dB	-30 dB	-25 dB
Return Loss 1.000-2.000 MHz (0.6m jumper)	-25 dB	-25 dB	-25 dB	-25 dB	-25 dB	-20 dB
Return Loss 2.000-3.000 MHz (0.6m jumper)	-20 dB	-20 dB	-20 dB	-20 dB	-20 dB	-15 dB
Insertion Loss 5-1.000 MHz (0.6m jumper)	-0,25 dB	-0,25 dB	-0,25 dB	-0,25 dB	-0,25 dB	-0,25 dB
Insertion Loss 1.000-2.000 MHz (0.6m jumper)	-0,35 dB	-0,35 dB	-0,35 dB	-0,35 dB	-0,35 dB	-0,35 dB
Insertion Loss 2.000-3.000 MHz (0.6m jumper)	-0,45 dB	-0,45 dB	-0,45 dB	-0,45 dB	-0,45 dB	-0,45 dB
Maximum Tensile Strength	30 Kgf	30 Kgf	30 Kgf	30 Kgf	30 Kgf	30 Kgf

For more accurate data on a specific jumper, please check the data sheet for that application.



3.5/12 Male Cross Section



5/8 Male Cross Section

TrueHybrid Hardline Jumpers

TrueHybrid Jumper				
Item Number	Item Name/Description	Interface 1	Interface 2	Length m
84000331	JPTL202-THJP-IEC14M/0.8	HL TL202	IEC14 Male	0.8
84000351	JPTL212-THJP-3.5/12M/0.35	HL TL212	3.5/12 Male	0.35
84000352	JPTL419TI-THJP-3.5/12M/0.55	HL TL419TI	3.5/12 Male	0.55
84000354	JPTL212-THJP-3.5/12M/0.55	HL TL212	3.5/12 Male	0.55
84000355	JPTL212-THJP-3.5/12M/1.0	HL TL212	3.5/12 Male	1.0
84000356	JPTL319TI-THJP-3.5/12M/0.55	HL TL319TI	3.5/12 Male	0.55
84000357	JPTL212-THJP-3.5/12M/1.7	HL TL212	3.5/12 Male	1.7
84000358	JPTL212-THJP-3.5/12M/2.5	HL TL212	3.5/12 Male	2.5
84000378	JPTL212-THJP-3.5/12M/1.3	HL TL212	3.5/12 Male	1.3
84000385	JPTL244-THJP-3.5/12M/1.0	HL TL244	3.5/12 Male	1.0
84000562	JPTL306FI-THJP-IEC14M/0.8	HL TL306FI	IEC14 Male	0.8
84001703	JPTL363-THJP-3.5/12M/0.35	HL TL363	3.5/12 Male	0.35
84001705	JPTL363-THJP-3.5/12M/0.55	HL TL363	3.5/12 Male	0.55
84001710	JPTL363-THJP-3.5/12M/1.0	HL TL363	3.5/12 Male	1.0
84001713	JPTL363-THJP-3.5/12M/1.3	HL TL363	3.5/12 Male	1.3
84001717	JPTL363-THJP-3.5/12M/1.7	HL TL363	3.5/12 Male	1.7
84001805	JPTL707-THJP-3.5/12M/1.0	HL TL707	3.5/12 Male	1.0
84001993	JPTL636-THJP-3.5/12M/0.35	HL TL636	3.5/12 Male	0.35
84002005	JPTL636-THJP-3.5/12M/0.55	HL TL636	3.5/12 Male	0.55
84002013	JPTL619TI-THJP-3.5/12M/0.55	HL TL619TI	3.5/12 Male	0.55
84002017	JPTL636-THJP-3.5/12M/1.7	HL TL636	3.5/12 Male	1.7
84002102	JPTL655-THJP-IEC14M/0.7	HL TL655	IEC14 Male	0.7
84002106	JPTL655-THJP-IEC14M/0.8	HL TL655	IEC14 Male	0.8
84002115	JPTL611STI-THJP-5/8MU/0.8	HL TL611STI	5/8 Male Swivel	0.8
84002228	JPTL655-THJP-5/8MU/0.8	HL TL655	5/8 Male Swivel	0.8
84002305	JPTL616-THJP-3.5/12M/0.55	HL TL616	3.5/12 Male	0.55
84002310	JPTL616-THJP-3.5/12M/1.0	HL TL616	3.5/12 Male	1.0
84002315	JPTL616-THJP-3.5/12M/1.5	HL TL616	3.5/12 Male	1.5
84002317	JPTL616-THJP-3.5/12M/1.7	HL TL616	3.5/12 Male	1.7

Other configurations available upon request



TrueHybrid Hardline Jumpers

TrueHybrid Jumper				
Item Number	Item Name/Description	Interface 1	Interface 2	Length m
84002612	JPTL705FI-THJP-IEC14M/0.8	HL TL705FI	IEC14 Male	0.8
84002705	JPTL828-THJP-3.5/12M/0.55	HL TL828	3.5/12 Male	0.55
84002710	JPTL828-THJP-3.5/12M/1.0	HL TL828	3.5/12 Male	1.0
84450006	IEC14M-THJP/0.6	IEC14 Male	BLUNT CUT	0.6
84454505	IEC14M-THJP-IEC14M/0.5	IEC14 Male	IEC14 Male	0.5
84454506	IEC14M-THJP-IEC14M/0.6	IEC14 Male	IEC14 Male	0.6
84454507	IEC14M-THJP-IEC14M/0.7	IEC14 Male	IEC14 Male	0.7
84454508	IEC14M-THJP-IEC14M/0.8	IEC14 Male	IEC14 Male	0.8
84490010	3.5/12M-THJP/1.0	3.5/12 Male	BLUNT CUT	1.0
84494507	3.5/12M-THJP-IEC14M/0.7	3.5/12 Male	IEC14 Male	0.7
84494510	3.5/12M-THJP-IEC14M/1.0	3.5/12 Male	IEC14 Male	1.0
84494903	3.5/12M-THJP-3.5/12M/0.3	3.5/12 Male	3.5/12 Male	0.3
84494904	3.5/12M-THJP-3.5/12M/0.4	3.5/12 Male	3.5/12 Male	0.4
84494905	3.5/12M-THJP-3.5/12M/0.5	3.5/12 Male	3.5/12 Male	0.5
84494906	3.5/12M-THJP-3.5/12M/0.6	3.5/12 Male	3.5/12 Male	0.6
84494907	3.5/12M-THJP-3.5/12M/0.7	3.5/12 Male	3.5/12 Male	0.7
84494908	3.5/12M-THJP-3.5/12M/0.8	3.5/12 Male	3.5/12 Male	0.8
84494910	3.5/12M-THJP-3.5/12M/1.0	3.5/12 Male	3.5/12 Male	1.0
84494912	3.5/12M-THJP-3.5/12M/1.2	3.5/12 Male	3.5/12 Male	1.2
84494915	3.5/12M-THJP-3.5/12M/1.5	3.5/12 Male	3.5/12 Male	1.5
84494920	3.5/12M-THJP-3.5/12M/2.0	3.5/12 Male	3.5/12 Male	2.0
84494925	3.5/12M-THJP-3.5/12M/2.5	3.5/12 Male	3.5/12 Male	2.5
84495102	3.5/12M-THJP-3.5/12F/0.2	3.5/12 Male	3.5/12 Female	0.2
84495103	3.5/12M-THJP-3.5/12F/0.3	3.5/12 Male	3.5/12 Female	0.3
84495105	3.5/12M-THJP-3.5/12F/0.5	3.5/12 Male	3.5/12 Female	0.5
84495107	3.5/12M-THJP-3.5/12F/0.7	3.5/12 Male	3.5/12 Female	0.7
84495108	3.5/12M-THJP-3.5/12F/0.8	3.5/12 Male	3.5/12 Female	0.8

Other configurations available upon request

TrueHybrid Hardline Jumpers

TrueHybrid Jumper				
Item Number	Item Name/Description	Interface 1	Interface 2	Length m
84495110	3.5/12M-THJP-3.5/12F/1.0	3.5/12 Male	3.5/12 Female	1.0
84495115	3.5/12M-THJP-3.5/12F/1.5	3.5/12 Male	3.5/12 Female	1.5
84495120	3.5/12M-THJP-3.5/12F/2.0	3.5/12 Male	3.5/12 Female	2.0
84495305	3.5/12M-THJP-FM/0.5	3.5/12 Male	F male	0.5
84495307	3.5/12M-THJP-FM/0.7	3.5/12 Male	F male	0.7
84495310	3.5/12M-THJP-FM/1.0	3.5/12 Male	F male	1.0
84515115	3.5/12F-THJP-3.5/12F/1.5	3.5/12 Female	3.5/12 Female	1.5
84535304	FM-THJP-FM/0.4	F male	F male	0.4
84535307	FM-THJP-FM/0.7	F male	F male	0.7
84535908	FM-THJP-5/8F/0.8	F male	5/8 Female	0.8
84574915	5/8MU-THJP-3.5/12M/1.5	5/8 Male Swivel	3.5/12 Male	1.5
84575307	5/8MU-THJP-FM/0.7	5/8 Male Swivel	F male	0.7
84575310	5/8MU-THJP-FM/1.0	5/8 Male Swivel	F male	1.0
84575312	5/8MU-THJP-FM/1.2	5/8 Male Swivel	F male	1.2
84575705	5/8MU-THJP-5/8MU/0.5	5/8 Male Swivel	5/8 Male Swivel	0.5
84575708	5/8MU-THJP-5/8MU/0.8	5/8 Male Swivel	5/8 Male Swivel	0.8
84575710	5/8MU-THJP-5/8MU/1.0	5/8 Male Swivel	5/8 Male Swivel	1.0
84575715	5/8MU-THJP-5/8MU/1.5	5/8 Male Swivel	5/8 Male Swivel	1.5
84575720	5/8MU-THJP-5/8MU/2.0	5/8 Male Swivel	5/8 Male Swivel	2.0
84575905	5/8MU-THJP-5/8F/0.5	5/8 Male Swivel	5/8 Female	0.5
84575910	5/8MU-THJP-5/8F/1.0	5/8 Male Swivel	5/8 Female	1.0
84575915	5/8MU-THJP-5/8F/1.5	5/8 Male Swivel	5/8 Female	1.5
84575920	5/8MU-THJP-5/8F/2.0	5/8 Male Swivel	5/8 Female	2.0
84635105	PG11MU-THJP-3.5/12F/0.5	PG11 Male Swivel	3.5/12 Female	0.5
84635107	PG11MU-THJP-3.5/12F/0.7	PG11 Male Swivel	3.5/12 Female	0.7
84635305	PG11MU-THJP-FM/0.5	PG11 Male Swivel	F male	0.5
84635307	PG11MU-THJP-FM/0.7	PG11 Male Swivel	F male	0.7

Other configurations available upon request



Cabelcon TrueSplit™ Portfolio

- TrueSplit adapter (CTSA) is a splitter/TAP with 1 F or 3.5/12 F input port and 2/3/4 output F ports
- TrueSplit jumper (CTSJ) is standard TrueSplit connector with a pre-assembled 0.5 m RG6 cable input with F male Cabelcon TrueDrop™ connector and 2/3/4 output F ports

Cabelcon TrueSplit™ Portfolio

Value Proposition

- Future-ready for enhanced DOCSIS 4.0+ full duplex applications
- 5 MHz to 1.8 GHz enables future CapEx & OpEx savings
- Smallest splitter/TAP solution = less space needed
- Best shielding of minimum A++ and noise protection in the market
- Nitin-6™ plated brass housing
- Circular design enables optimal port access and achieves most equal signal distribution possible
- Insulation between output ports = reduced “crosstalk”
- Moisture-protected ports
- Less components = less stock
- Indoor, outdoor, and underground applicable
- No new installation tools or training needed
- Power through up to 2 ampere available

**Best shielding >A++ and noise protection
intermodulation < -115 dBc in the market**

**Minimalistic design requires the least space while
maximising long-term performance**

**High-precision CNC-produced brass Nitin-6™ plated body
and F Female ports enable optimal signal transmission**

For more Information
please go to our website:
www.Cabelcon.com

TrueSplit Adapter (CTSA)

- Utilise existing Cabelcon TrueLock™ connectors
- F female and 3.5/12 F interface available
- 2-, 3-, and 4-way splitters/taps are available for each



TrueSplit Jumper (CTSJ)

- Plug-and-play solution
- Factory installed on A+ cable



Wall-Mount Clip for TrueSplit Portfolio

- One single metal clip on/off for all TrueSplit types
- Item number 98400000



Cabelcon TrueSplit™ Adapters – F Female

Item Number	Name	Description	60V 2A Power-Through
13000120-01	CTSA-02-FF	SPLITTER 2-WAY	
13000122-01	CTSA-02-P-FF	SPLITTER 2-WAY-2A	√
13001060-01	CTSA-1-6-P-FF	TAP 1-6dB-2A	√
13001080-01	CTSA-1-8-P-FF	TAP 1-8dB-2A	√
13001100-01	CTSA-1-10-P-FF	TAP 1-10dB-2A	√
13001120-01	CTSA-1-12-P-FF	TAP 1-12dB-2A	√
13001160-01	CTSA-1-16-P-FF	TAP 1-16dB-2A	√
13001200-01	CTSA-1-20-P-FF	TAP 1-20dB-2A	√
13001240-01	CTSA-1-24-P-FF	TAP 1-24dB-2A	√
13001300-01	CTSA-1-30-P-FF	TAP 1-30dB-2A	√



13000120

Item Number	Name	Description	60V 2A Power-Through
13000130-01	CTSA-03-FF	SPLITTER 3-WAY	
13002080-01	CTSA-2-8-P-FF	TAP 2-8dB-2A	√
13002100-01	CTSA-2-10P-FF	TAP 2-10dB-2A	√
13002120-01	CTSA-2-12P-FF	TAP 2-12dB-2A	√
13002160-01	CTSA-2-16P-FF	TAP 2-16dB-2A	√
13002200-01	CTSA-2-20P-FF	TAP 2-20dB-2A	√
13002240-01	CTSA-2-24P-FF	TAP 2-24dB-2A	√
13002280-01	CTSA-2-28P-FF	TAP 2-28dB-2A	√



13000120

Item Number	Name	Description	60V 2A Power-Through
13000140-01	CTSA-04-FF	SPLITTER 4-WAY	
13004100-01	CTSA-4-10-FF	TAP 4-10dB	*
13004120-01	CTSA-4-12-FF	TAP 4-12dB	*



13000120

*Four-way TAP (internally terminated, no OUT port)

Cabelcon TrueSplit™ Adapters – 3.5/12 F

Item no.	Name	Description	60V 2A Power-Through
12000120	CTSA-02-3.5/12F	SPLITTER 2-WAY	
12000122	CTSA-02-P-3.5/12F	SPLITTER 2-WAY-2A	✓
12001060	CTSA-1-6-P-3.5/12F	TAP 1-6dB-2A	✓
12001080	CTSA-1-8-P-3.5/12F	TAP 1-8dB-2A	✓
12001100	CTSA-1-10-P-3.5/12F	TAP 1-10dB-2A	✓
12001120	CTSA-1-12-P-3.5/12F	TAP 1-12dB-2A	✓
12001160	CTSA-1-16-P-3.5/12F	TAP 1-16dB-2A	✓
12001200	CTSA-1-20-P-3.5/12F	TAP 1-20dB-2A	✓
12001240	CTSA-1-24-P-3.5/12F	TAP 1-24dB-2A	✓
12001300	CTSA-1-30-P-3.5/12F	TAP 1-30dB-2A	✓



12000120

Item no.	Name	Description	60V 2A Power-Through
12000130	CTSA-03-3.5/12F	SPLITTER 3-WAY	
12002080	CTSA-2-8-P-3.5/12F	TAP 2-8dB-2A	✓
12002100	CTSA-2-10-P-3.5/12F	TAP 2-10dB-2A	✓
12002120	CTSA-2-12-P-3.5/12F	TAP 2-12dB-2A	✓
12002160	CTSA-2-16-P-3.5/12F	TAP 2-16dB-2A	✓
12002200	CTSA-2-20-P-3.5/12F	TAP 2-20dB-2A	✓
12002240	CTSA-2-24-P-3.5/12F	TAP 2-24dB-2A	✓
12002280	CTSA-2-28-P-3.5/12F	TAP 2-28dB-2A	✓



12000130

Item no.	Name	Description	60V 2A Power-Through
12000140	CTSA-04-3.5/12F	SPLITTER 4-WAY	
12004100	CTSA-4-10-3.5/12F	TAP 4-10dB	*
12004120	CTSA-4-12-3.5/12F	TAP 4-12dB	*



12000140

*Four-way TAP (internally terminated, no OUT port)

Cabelcon TrueSplit™ Jumpers – F Male

Item no.	Name	Description	60V 2A Power-Through
14920005-01	CTSJ-02-FM/B/0.5	FM-CXJ6A+2 WAY SPLITTER/B/0.5	
14921005-01	CTSJ-02-P-FM/B/0.5	FM-CXJ6A+2-P WAY SPLITTER/B/0.5	✓
14110605-01	CTSJ-1-6-P-FM/B/0.5	FM-CXJ6A+TAP 1-6dB/B/0.5	✓
14110805-01	CTSJ-1-8-P-FM/B/0.5	FM-CXJ6A+TAP 1-8dB/B/0.5	✓
14111005-01	CTSJ-1-10-P-FM/B/0.5	FM-CXJ6A+TAP 1-10dB/B/0.5	✓
14111205-01	CTSJ-1-12-P-FM/B/0.5	FM-CXJ6A+TAP 1-12dB/B/0.5	✓
14111605-01	CTSJ-1-16-P-FM/B/0.5	FM-CXJ6A+TAP 1-16dB/B/0.5	✓
14112005-01	CTSJ-1-20-P-FM/B/0.5	FM-CXJ6A+TAP 1-20dB/B/0.5	✓
14112405-01	CTSJ-1-24-P-FM/B/0.5	FM-CXJ6A+TAP 1-24dB/B/0.5	✓
14113005-01	CTSJ-1-30-P-FM/B/0.5	FM-CXJ6A+TAP 1-30dB/B/0.5	✓



14920005

Item no.	Name	Description	60V 2A Power-Through
14930005-01	CTSJ-03-FM/B/0.5	FM-CXJ6A+3 WAY SPLITTER/B/0.5	
14120805-01	CTSJ-2-8-P-FM/B/0.5	FM-CXJ6A+TAP 2-8dB/B/0.5	✓
14121005-01	CTSJ-2-10-P-FM/B/0.5	FM-CXJ6A+TAP 2-10dB/B/0.5	✓
14121205-01	CTSJ-2-12-P-FM/B/0.5	FM-CXJ6A+TAP 2-12dB/B/0.5	✓
14121605-01	CTSJ-2-16-P-FM/B/0.5	FM-CXJ6A+TAP 2-16dB/B/0.5	✓
14122005-01	CTSJ-2-20-P-FM/B/0.5	FM-CXJ6A+TAP 2-20dB/B/0.5	✓
14122405-01	CTSJ-2-24-P-FM/B/0.5	FM-CXJ6A+TAP 2-24dB/B/0.5	✓
14122805-01	CTSJ-2-28-P-FM/B/0.5	FM-CXJ6A+TAP 2-28dB/B/0.5	✓



14930005

Item no.	Name	Description	60V 2A Power-Through
14940005-01	CTSJ-04-FM/B/0.5	FM-CXJ6A+4 WAY SPLITTER/B/0.5	
14141005-01	CTSJ-4-10-FM/B/0.5	FM-CXJ6A+TAP 4-10dB/B/0.5	*
14141205-01	CTSJ-4-12-FM/B/0.5	FM-CXJ6A+TAP 4-12dB/B/0.5	*



14940005

*Four-way TAP (internally terminated, no OUT port)



Cabelcon TrueDrop™ Portfolio

Cabelcon TrueDrop™ Connectors and Jumpers

The family of TrueDrop products, which previously consisted of only connectors, has now been expanded to include jumpers. The TrueDrop portfolio features breakthroughs that deliver improved performance when compared to F-compression connectors. The result is less network noise, greater ease of use, and better overall reliability.

- Larger conical mating surface provides better alignment and mating quality with all ports, compared to standard connectors

- Wider sleeve heel provides 360-Degree electrical contact for all cables
- Improved seating prevents O-ring damage pre- and post-installation and at re-installation
- Dielectric stop at F nut boosts installation quality
- Grooved nut for better grip, easier tightening, and quicker installation
- Straight knurling for improved grip on nut

Cabelcon TrueDrop™ Portfolio – Main Values

Cabelcon TrueDrop™ Connectors and Jumpers*

CX3™ portfolio upgrade and consolidation

- Larger conical mating surface provides better alignment and O-ring seating
- Better Female thread engagement
- Dielectric stop disables dielectric push-through
- Grooved nut for better grip, easier tightening, and quicker installation
- Wider sleeve heel provides 360° electrical contact for all cables
- Higher cable torsion and straight knurling for improved grip and installation
- A++ jumper shielding

* Legacy products will be available until stocks are exhausted.
Updated products available now.

For more Information
please go to our website:
www.Cabelcon.com

Connections You Can Trust



99909941



TrueDrop Jumper

Cabelcon TrueDrop™ Connector – F Standard Compression

Features/Interface

Improved Interface Seal

1. O-ring not damaged by thread/installation

F Nut: Larger Thread Engagement Area and Finger-Friendly Design

1. Compensates for varying F Female thread qualities
2. More strong mechanical contact between F Female and F Male ports prevents loosening of connectors
3. Nut Design eases tightening F Nut on Port
4. F Nut tightening quality improved

Mating Surface: Self-Centering and Maximising Electrical Contact

1. Compensating for varying Female surface qualities
2. Ensuring 360-Degree RF tightness

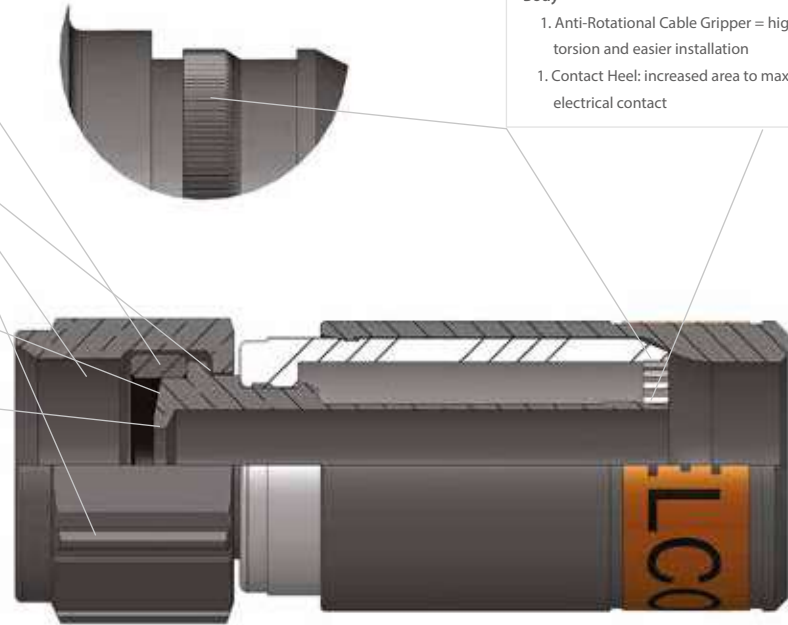
Dielectric Stop

1. Prevention of pass/push through

Features/Body

Body

1. Anti-Rotational Cable Gripper = higher cable torsion and easier installation
1. Contact Heel: increased area to max. electrical contact



Benefits

1. Mating Surface

- a. Optimum mechanical and RF fit
 - Less maintenance calls
 - No more loose F connector
 - Best possible noise and ingress protection

2. F Nut

- a. Ensures high torque and low resistance
 - Less maintenance calls
 - No more loose F connector
 - Best possible noise and ingress protection

3. Stop

- a. Flawless installation features
 - Less maintenance calls
 - Safe installation with mechanical stop for cable

4. Interface Seal

- a. Improved repeat installations with seal intact
 - Best possible moisture, noise, and ingress protection

5. Body

- a. New internal design improves handling and cable aging issues

Cabelcon TrueDrop™ Item Number	Name	Description
F Male Feed-Through with Interface Seal		
99909916-02	F-59-TD 3.7 TRUE DROP	for MINI RG59 cable dielectric ø. 3.4-3.5 mm
99909921-01	F-59-TD 3.9 TRUE DROP	for RG59 cable dielectric ø. 3.6-3.7 mm
99909935-02	F-59-TD 3.9 HEC TRUE DROP	for RG59 HEC cable dielectric ø. 3.6-3.7 mm
99909941-01	F-6-TD 4.9 TRUE DROP	for RG6 cable dielectric ø. 4.6-4.7 mm
99909946-01	F-6-TD 5.1 TRUE DROP	for RG6 cable dielectric ø. 4.8-4.9 mm
99909951	F-6-TD 4.9 SHORT TRUE DROP	for RG6 cable dielectric ø. 4.6-4.7 mm
99909445-04	F-6-TD 5.1 SHORT TRUE DROP	for RG6 cables dielectric ø. 4.8-4.9 mm

Cabelcon TrueDrop™ Connectors – with F QuickMount™ Compression

Features/Interface

Mating Surface: Self-Centering and Maximising Electrical Contact

1. Compensating for varying Female surface qualities
2. Ensuring 360-Degree RF tightness

F Nut: Larger Thread Engagement Area and Finger-Friendly Design

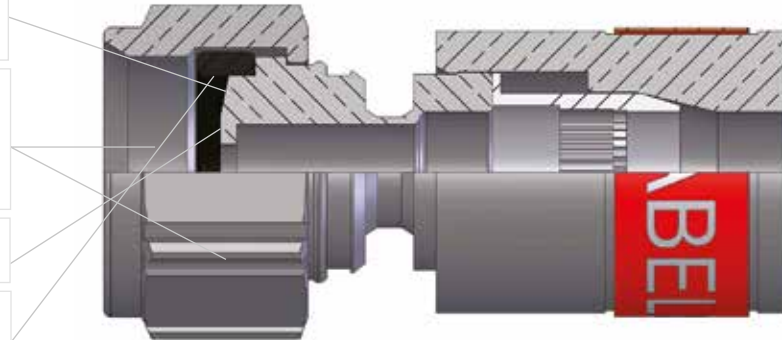
1. Compensates for varying F Female thread qualities
2. More strong mechanical contact between F Female and F Male ports prevents loosening of connectors
3. Nut design eases tightening F Nut on Port

Dielectric Stop

1. Prevention of pass/push-through

Improved Interface Seal

1. O-ring not damaged by thread/installation



Benefits



1. Mating Surface
 - a. Optimum mechanical and RF fit
 - Less maintenance calls
 - No more loose F connector
 - Best possible noise and ingress protection
2. F Nut
 - a. Ensures high torque and low resistance
 - Less maintenance calls
 - No more loose F connector
 - Best possible noise and ingress protection
3. Stop
 - a. Flawless installation features.
 - Less maintenance calls
 - Safe installation with mechanical stop for cable
4. Interface Seal
 - a. Improved repeat installations with seal intact.
 - Best possible moisture, noise and ingress protection
5. New Body
 - a. New internal design improves handling and cable aging issues

New Cabelcon TrueDrop™ Item Number	Name	Description
F Male Mini PushPin™ without Interface Seal		
99909902	FM-MINI-TD QM 3.1 W/O O-RING TRUE DROP	for MINI 3.1 mm cable
99909903	FM-MINI-TD QM 4.0 W/O O-RING TRUE DROP	for MINI 4.0 mm cable
99909904	FM-MINI-TD QM 4.5 W/O O-RING TRUE DROP	for MINI 4.5 mm cable
99909906	FM-MINI-TD QM 5.0 W/O O-RING TRUE DROP	for MINI/RG59 5.0 mm cable
F Male Feed-Through without Interface Seal		
99909901	F-MINI-TD QM 4.0 SHORT TRUE DROP	for MINI 4.0 mm cable
99909909	F-MINI-TD QM 4.5 SHORT TRUE DROP	for MINI 4.5 mm cable
99909910	F-MINI-TD QM 5.0 SHORT TRUE DROP	for MINI 5.0 mm cable
99909911-01	F-59-TD QM 6.0 TRUE DROP	for RG59 6.0 mm cable
99909912-01	F-6-TD QM 7.0 TRUE DROP	for RG6 7.0 mm cable
F Male Feed-Through with Interface Seal		
99909913-01	F-6-TD QM 7.0 W/O O-RING TRUE DROP	for RG6 7.0 mm cable
99909914-01	F-6-TD QM 7.0 SHORT W/O O-RING TRUE DROP	for RG6 7.0 mm cable

Cabelcon TrueDrop™ Portfolio – General Specifications

Features

- Conical Interface
- O-Ring
- Grooved Nut
- Cable Gripper
- Support Sleeve: Dielectric Stop and Contact Heel
- Enhanced F Nut Thread

Technical Data*†	Cabelcon TrueDrop™ Standard Compression	TrueDrop QuickMount™ Connector*†
		
Transfer Impedance (CoMeT) 5-30 MHz	Class A++	Class A++
Screening Attenuation (CoMet) 30-3.000 MHz	Class A++	Class A++
Intermodulation 3 rd Order @ 2 x 20 dBm	< -167 dBc	< -130 dBc
Sealing Test (IEC IP-code)	IP X8 30 meter/8 hour	IP X8 30 meter/8 hour
Return Loss @ 1.0 GHz	< -39 dB	< -32 dB
Return Loss @ 2.0 GHz	< -39 dB	< -25 dB
Return Loss @ 3.0 GHz	< -39 dB	< -22 dB
Insertion Loss @ 1.0 GHz	< -0.01 dB	< -0.10 dB
Insertion Loss @ 2.0 GHz	< -0.02 dB	< -0.10 dB
Insertion Loss @ 3.0 GHz	< -0.05 dB	< -0.10 dB
Maximum Tensile Strength	> 50% better than cable specifications	> 50% better than cable specifications

* Data is cable dependent

† General connector performance may change depending on cable type

Other Drop Connectors

IEC & BNC Compression and SC Self-Install Connectors

Item Number	Name	Description
F with Standard F Nut Self-Install		
99909621-03	F-59-TD SELF INSTALL 3.9 NI TRUE DROP	For RG6 6.0 mm cable, with 3.6 mm dielectric
99909631-03	F-6-TD SELF INSTALL 4.9 NI TRUE DROP	For RG6 7.0 mm cable, with 4.6 mm dielectric
99909636-02	F-6-TD SELF INSTALL 5.1 NI TRUE DROP	For RG6 7.0 mm cable, with 4.8 mm dielectric
F with SpringConnect Self-Install		
99909673	F SC-56 5.1 SELF INSTALL	For RG6 7.0 mm cable, with 4.6-4.8 mm dielectric
IEC Self-Install		
99909686	IECM-56 5.1 SELF INSTALL	For RG6 7.0 mm cable, with 4.6-4.8 mm dielectric
99909692	90-IECM-56 5.1 SELF INSTALL	For RG6 7.0 mm cable, with 4.6-4.8 mm dielectric
99909690	IECF-56 5.1 SELF INSTALL	For RG6 7.0 mm cable, with 4.6-4.8 mm dielectric
99909691	90-IECF-56 5.1 SELF INSTALL	For RG6 7.0 mm cable, with 4.6-4.8 mm dielectric
IEC TD Standard Compression		
99909982	IECM-59-TD 3.9	For RG59 6.0 mm cable with 3.6 mm dielectric
99909484-04	IECM-6-TD 4.9	For RG6 7.0 mm cable with 4.6 mm dielectric
99909486-04	IECM-6-TD 5.1	For RG6 7.0 mm cable with 4.8 mm dielectric
99909992	IECF-59-TD 3.9	For RG59 6.0 mm cable with 3.6 mm dielectric
99909494-04	IIIECF-6-TD 4.	For RG6 7.0 mm cable with 4.6 mm dielectric
99909496-03	IIIECF-6-TD 5.1	For RG6 7.0 mm cable with 4.8 mm dielectric



99909673



99909686



99909692



99909690



99909691



99909494-01

Item Number	Name	Description
90-Degree Right Angle F Male Connector		
99530053-01	90-FM-59-ALM 3.7/6.4 HQ	MINI RG59 5,0mm cable, with dielectric ø. 3.5 mm
99530059-01	90-FM-56-ALM 5.1/8.4 HQ	For RG6 7.0 mm cable, with 4.8 mm dielectric
99909597	90-FM-56-CX3 7,0 QM	For RG6 7.0 mm cable
MCX Male Connectors		
99909804-01	MCX-60-CX3 MINI 4.5	For MINI 4.5 mm cable
99909805	MCX-59-CX3 5.0 QM	For MINI 5.0 mm cable
99909835	MCX-60-MINI 3.0/4.5 AU PIN	MINI 4,0mm cable, with dielectric ø. 2.8 mm
BNC Male Connectors		
99909462-01	BNCM-60-CX3 MINI 3.1	For MINI 3.1 mm cable
99909463-01	BNCM-60-CX3 MINI 4.0	For MINI 4.0 mm cable
99909464-03	BNCM-60-CX3 MINI 4.5	For MINI 4.5 mm cable
99909465-01	BNCM-60-CX3 MINI 5.0	For MINI 5.0 mm cable
BNC TD Standard Compression		
99909972	BNCM-59-TD 3.7	MINI RG59 5,0mm cable with dielectric ø. 3.5 mm
99909973	BNCM-59-TD 3.9	For RG59 6.0 mm cable with 3.6 mm dielectric
99909474-04	BNCM-59-TD 3.9/HEC	For RG59 6,7mm HEC cable with dielectric ø. 3.6mm
99909475-04	BNCM-6-TD 4.9	For RG6 7.0 mm cable with 4.6 mm dielectric
99909476-04	BNCM-6-TD 5.1	For RG6 7.0 mm cable with 4.8 mm dielectric
99909478-02	BNCM-6-TD 5.7	For RG6 cable dielectric ø.5.4-5.5 mm

Bulkhead thread less F Female adaptor

- The female F-port is threadless and has been given a contour to add the function of: Activation force adjustment, retainer, RF seal constant activation force on spring.
- As we have several different spring designs in use the design can vary depending on the spring contour.
- One port contour may fit several different spring designs.
- Once installed on the port, the spring is in constant activated mode. The effect of this is, that the contour is not the same as in the relaxed mode.
- The size of the contour may be adjusted to fit the needs of the spring and the application in use.
- The inner part of the F-port are standard as in a normal F81 barrel.



Cabelcon		Datasheet	
Item no.	8999033	Connector type	Threadless F port with PCB mount
Frequency Range	0.1 - 2000 MHz	Product photo	
Impedance (nom.)	50 Ohm		
Amp. Rating (maximum)	1.7 A @ 12°C (max. rise) 0.8 A @ 25°C (max. rise)		
Transfer Impedance (CAE#1)	Class 3 +0.2 dB @ 5.00 MHz 0.02 mOhm @ 5.00 MHz		
Screening Attenuation (CAE#1)	Class 3 +108 dB @ 30-1000 MHz +30 dB @ 100-2000 MHz +65 dB @ 200-3000 MHz		
Return Loss (dB min):		Return Loss Max	
0.1 - 300 MHz	-29 dB - 32.4 dB	0.1 - 300 MHz	-0.07 dB - 0.22 dB
500 - 800 MHz	-28 dB - 29.2 dB	800 - 800 MHz	-0.07 dB - 0.22 dB
800 - 1000 MHz	-28 dB - 28.0 dB	800 - 1000 MHz	-0.08 dB - 0.23 dB
1000 - 1700 MHz	-28 dB - 28.0 dB	1000 - 1700 MHz	-0.08 dB - 0.24 dB
1700 - 2100 MHz	-28 dB - 29.5 dB	1700 - 2100 MHz	-0.09 dB - 0.24 dB
		2100 - 3000 MHz	-0.09 dB - 0.24 dB

Cabelcon		Datasheet	
Item no.	8999033	Connector type	Threadless F port with PCB mount
Frequency Range	0.1 - 2000 MHz	Product photo	
Impedance (nom.)	50 Ohm		
Amp. Rating (maximum)	1.7 A @ 12°C (max. rise) 0.8 A @ 25°C (max. rise)		
Transfer Impedance (CAE#1)	Class 3 +0.2 dB @ 5.00 MHz 0.02 mOhm @ 5.00 MHz		
Screening Attenuation (CAE#1)	Class 3 +108 dB @ 30-1000 MHz +30 dB @ 100-2000 MHz +65 dB @ 200-3000 MHz		
Return Loss (dB min):		Return Loss Max	
0.1 - 300 MHz	-29 dB - 32.4 dB	0.1 - 300 MHz	-0.07 dB - 0.22 dB
500 - 800 MHz	-28 dB - 29.2 dB	800 - 800 MHz	-0.07 dB - 0.22 dB
800 - 1000 MHz	-28 dB - 28.0 dB	800 - 1000 MHz	-0.08 dB - 0.23 dB
1000 - 1700 MHz	-28 dB - 28.0 dB	1000 - 1700 MHz	-0.08 dB - 0.24 dB
1700 - 2100 MHz	-28 dB - 28.0 dB	1700 - 2100 MHz	-0.09 dB - 0.24 dB
2100 - 3000 MHz	-28 dB - 29.5 dB	2100 - 3000 MHz	-0.09 dB - 0.24 dB
Temperature		Intermittent	800
Operating	-55 °C to +125 °C	3rd Order (@2+100MHz)	148 dB
Storage	-65 °C to +125 °C	Inner Conductor Resistance (@ 1 A DC)	<12 mOhm
Usage		Insulation Resistance (@ 500 VDC)	>200 GΩ
Body Material	Steel	Dielectric Strength DC Test Voltage	>6 kV
Body Finish	Black	Max. Tensile Strength Overall	NA kgf
Inner Conductor	Steel	Tensile Strength (Connector / Cable)	NA N/MTM
Plating	None	Test performed by	Amphenol Søren Bakker-Kurste
Inner Conductor	White Epoxy	Approved by	Søren Bakker-Kurste
Notes		Date	February 21, 2022
Remarks	<p>*Not able to illustrate (N/A): The right starts to test without the connector being in place of the cable. Please refer to the cable data.</p> <p>Commodity designed according to the standard IEC 61084-4 (type T - 3E). All tests performed using instruments calibrated in accordance to our ISO 9001 certification. Further technical specifications and test methods instructions can be obtained on request.</p>		
© Interlog Datasheet 001	800 900 088 021 5881 5616	<p>Amphenol Cabelcon ApS 24 4700 Vindvangsbukken, Denmark DK 58 90 Fax: +45 88 88 88 34 cabelcon@amphenol.com www.cabelcon.dk Form 361 F1 3(2)</p>	

Bulkhead tread less F Female adaptor

Port	Feature	PushOn force	Removal force	Remark
Regular	With/without color ring	40 N	42 N	Plating to withstand more than 100 installations on all versions
	Retainer	50 N	70 N	-3 dB performance @ 2 Ghz
	Seal + Retainer	52 N	75 N	-6 dB performance @ 2 Ghz
EoHa	With/without color ring	A	B	Easy On Hard Off
	Retainer	C	D	
	Seal + Retainer	E	F	
PCB Solder	With/without color ring	G	H	Straight +90 deg
	Retainer	I	J	
	Seal + Retainer	K	L	
<p>All values have been tested with a generic Amphenol flylead. A slight variation could be observed by use of other spring connection connectors. If required, a full tension can be made on demand.</p> <p>OEM versions are also available upon request.</p>				

STD



EOHA



Retainer



Seal + retainer



Drop Connectors for RG11 Cables

Product Type/Name	Part Number	Product Description
F Male PushPin™ System CX3™ Standard Compression		
FM-RG11-CX3 7.5	99909510-02	For RG11 10.0 mm cable, with 7.3 mm dielectric
FM-RG11Q-CX3 7.5	99909515-02	For RG11 10.5 mm cable, with 7.3 mm dielectric
FM-RG11-CX3 7.5 HEX11 NI	99531101-01	For RG11 10.0 mm cable, with 7.3 mm dielectric
F Male PushPin System CX3 QuickMount™ Connector		
FM-RG11-CX3 QM 10.5	99909538-02	For RG11 10.0-10.5 mm cable
FM-RG11Q-CX3 QM 11.0/1.7	99909539	For RG11 10.5-11.0 mm cable
FM-RG11-CX3 QM 11.3	99909558	For Tellu7 11.0 mm cable
IEC Male PushPin System CX3 Standard Compression		
IEC14M-RG11-CX3 7.5	99909535-02	For RG11 10.0 mm cable, with 7.3 mm dielectric
5/8 MU PushPin System CX3 Standard Compression		
5/8 MU-RG11-CX3 7.5	99909525-02	For RG11 10.0 mm cable, with 7.3 mm dielectric
5/8 MU PushPin System CX3 QuickMount		
5/8 MU-RG11-CX3 QM 10.5	99909528-02	For RG11 10.0-10.5 mm cable
3.5/12 Male and Female PushPin System CX3 Standard Compression		
3.5/12F-RG11-CX3 7.5	99909530-02	For RG11 10.0-10.5 mm cable
3.5/12 Male and Female PushPin System CX3 QuickMount		
3.5/12M-RG11-CX3 QM 10.5	99909524-01	For RG11 10.0-10.5 mm cable
BNC Male PushPin System CX3 Standard Compression		
BNCM-RG11Q CX3 7.5	99909536-02	For RG11 10.0-10.5 mm cable
BNC Male PushPin System CX3 QuickMount		
BNCM-RG11-CX3 QM 10.5	99909541-01	For RG11 10.0-10.5 mm cable



999531101

99909510-02

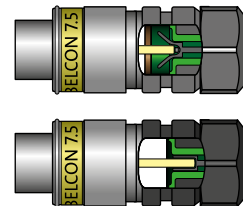
99909525-02



99909538-02

99909520-02

CX3™ RG11 F-connector



Position one:

The pin grips the inner conductor and makes sure that the cable is always inserted correctly in the connector.

Position two:

The pin locks the inner conductor as the cable is inserted while the pin is pushed forward in place – indicating that the cable is correctly installed.

The example above is our CX3 RG11 F-connector but the principle is the same for our other CX3 types.

Functions of Our Innovative PushPin system:

- The pin is protected in the body during transport (except CX3 5/8M) and is automatically pushed in place during cable installation (before compression)
- Eliminates blind entry when installing, offering visible indication of properly installed cable PushPin technology, and is available in all CX3 RG7/11 connectors, CX3 mini connectors, and in some RG6/59 connector types. BNC and RCA connectors also feature the unique system.

Cabelcon TrueDrop™ Jumper

Meet Our Next Generation of Solutions Upgraded to Deliver World-Class Performance

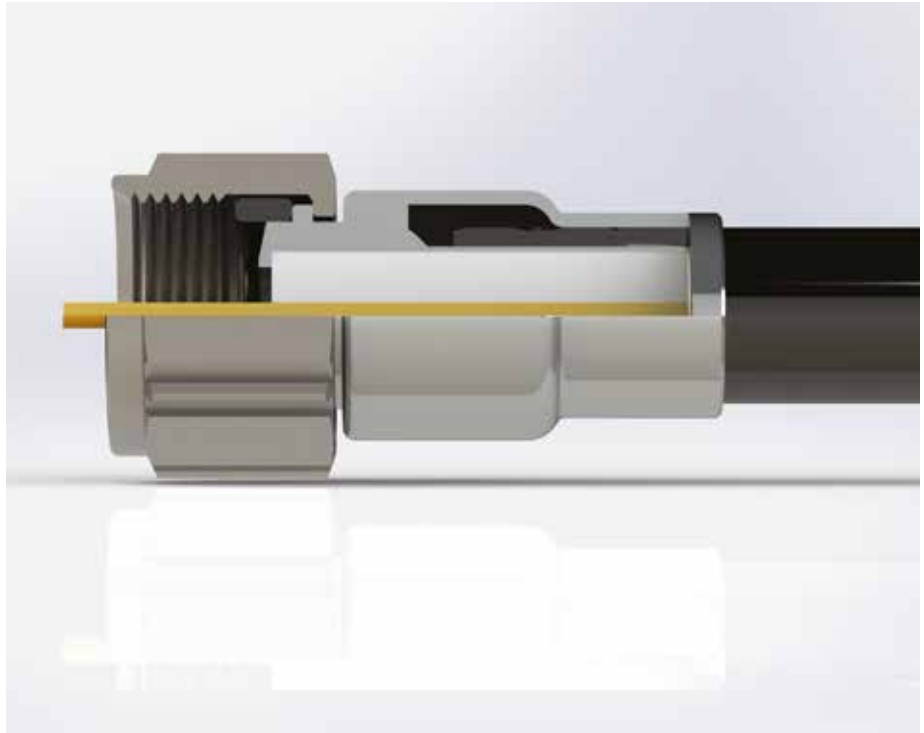
Our RG59 and RG6 drop jumpers have been enhanced with the latest innovation— round crimp, factory-installable interfaces for secure, dependable connections. They are now part of the Cabelcon TrueDrop™ connector family that features breakthrough technology to reduce network noise, improve ease of use, and optimise performance.

Design Updates

- New body and improved crimp technology for minimal transfer impedance
- Self-centred mating surfaces deliver 360-degree electrical contact and ensure a proper fit in a variety of connectors
- F-nuts with finger-friendly design and larger thread engagement areas that compensates for varying threads to ensure strong mechanical contact
- Larger conical mating surfaces for better alignment and improved port mating
- Optional Wing Nut for FM RG59 application available, tool less installation/finger-tightening

Benefits

- Improved fit, reducing risk of loose F connectors—the conical interface creates a more secure mechanical connection that results in reduced resistance and high torque
- Less maintenance calls—the superior fit guards against loose F connectors and delivers enhanced ingress, noise, and moisture protection
- Seals remain intact for easier repeat installation



Cabelcon TrueDrop™ Jumper Portfolio

Drop Jumpers – RG59 Fly Leads and RG6 Drop Jumpers 0.2 m to 15+ m

TDJ Item Number	TDJ Name	Interface 1	Interface 2	Typical Application	Length m
RG59 White PVC A++ Tri-Shield Cable (Alu Foil/Tin-Plated Copper Braid/Alu Foil)					
80221102	JPTL212-TDJ59A++-FM/S/W/0.2	HL TL212	F male	Outdoor	0.2
80221105	JPTL212-TDJ59A++-FM/S/W/0.5	HL TL212	F male	Outdoor	0.5
80236102	JPTL363-TDJ59A++-FM/S/W/0.2	HL TL363	F male	Outdoor	0.2
95110208	FM WN-TDJ59A++-FM WN/W/0.8	F male with Wing nut	F male with Wing nut	Indoor	0.8
95114010	FM-TDJ59A++-IEC14M/B/1.0	F male	IEC14 Male	Indoor	1.0
95122003	FM SC-TDJ59A++-FM SC/B/0.3	F male SpringConnect	F male SpringConnect	Indoor	0.3
95122005	FM SC-TDJ59A++-FM SC/B/0.5	F male SpringConnect	F male SpringConnect	Indoor	0.5
95211005	FM-TDJ59A++-FM/W/0.5	F male	F male	Indoor	0.5
95211008	FM-TDJ59A++-FM/W/0.8	F male	F male	Indoor	0.8
95211012	FM-TDJ59A++-FM/W/1.2	F male	F male	Indoor	1.2
95211020	FM-TDJ59A++-FM/W/2.0	F male	F male	Indoor	2.0
95211030	FM-TDJ59A++-FM/W/3.0	F male	F male	Indoor	3.0
95222005	FM SC-TDJ59A++-FM SC/W/0.5	F male SpringConnect	F male SpringConnect	Indoor	0.5
95222015	FM SC-TDJ59A++-FM SC/W/1.5	F male SpringConnect	F male SpringConnect	Indoor	1.5
95222020	FM SC-TDJ59A++-FM SC/W/2.0	F male SpringConnect	F male SpringConnect	Indoor	2.0
95222320	FM SC-TDJ59A++-FM SC/W/2.0	F male SpringConnect	F male SpringConnect	Indoor	2.0
95222325	FM SC-TDJ59A++-FM SC/W/2.5	F male SpringConnect	F male SpringConnect	Indoor	2.5
RG59 White HFFR Dca A++ Tri-Shield Cable (Alu Foil/Tin-Plated Copper Braid/Alu Foil)					
95110602	FM-TDJ59DcaA++-FM/W/0.2	F male	F male	Indoor	0.2
95110603	FM-TDJ59DcaA++-FM/W/0.3	F male	F male	Indoor	0.3
95110604	FM-TDJ59DcaA++-FM/W/0.4	F male	F male	Indoor	0.4
95110610	FM WN-TDJ59DcaA++-FM WN/W/1.0	F male with Wing nut	F male with Wing nut	Indoor	1.0
95110615	FM WN-TDJ59DcaA++-FM WN/W/1.5	F male with Wing nut	F male with Wing nut	Indoor	1.5
95110617	FM WN-TDJ59DcaA++-FM WN/W/1.7	F male with Wing nut	F male with Wing nut	Indoor	1.7
95110620	FM WN-TDJ59DcaA++-FM WN/W/2.0	F male with Wing nut	F male with Wing nut	Indoor	2.0
95110625	FM WN-TDJ59DcaA++-FM WN/W/2.5	F male with Wing nut	F male with Wing nut	Indoor	2.5
95110630	FM WN-TDJ59DcaA++-FM WN/W/3.0	F male with Wing nut	F male with Wing nut	Indoor	3.0
95110650	FM WN-TDJ59DcaA++-FM WN/W/5.0	F male with Wing nut	F male with Wing nut	Indoor	5.0
95110670	FM WN-TDJ59DcaA++-FM WN/W/7.0	F male with Wing nut	F male with Wing nut	Indoor	7.0
95110699	FM WN-TDJ59DcaA++-FM WN/W/10.0	F male with Wing nut	F male with Wing nut	Indoor	10.0
RG6 Black PVC A++ Tri-Shield Cable (Alu Foil/Tin-Plated Copper Braid/Alu Foil)					
96110010	FM-TDJ6A++-FM/B/1.0	F male	F male	Indoor	1.0
96110020	FM-TDJ6A++-FM/B/2.0	F male	F male	Indoor	2.0
96110710	FM-TDJ6A++-FM/W/1.0	F male	F male	Indoor	1.0
96110720	FM-TDJ6A++-FM/W/2.0	F male	F male	Indoor	2.0
96400002	FM-TDJ6A++-FM/S/B/0.2	F male	F male	Outdoor	0.2
96400003	FM-TDJ6A++-FM/S/B/0.3	F male	F male	Outdoor	0.3
96400004	FM-TDJ6A++-FM/S/B/0.4	F male	F male	Outdoor	0.4
96400005	FM-TDJ6A++-FM/S/B/0.5	F male	F male	Outdoor	0.5
96400006	FM-TDJ6A++-FM/S/B/0.6	F male	F male	Outdoor	0.6
96400007	FM-TDJ6A++-FM/S/B/0.7	F male	F male	Outdoor	0.7
96400008	FM-TDJ6A++-FM/S/B/0.8	F male	F male	Outdoor	0.8
96400010	FM-TDJ6A++-FM/S/B/1.0	F male	F male	Outdoor	1.0
96400025	FM-TDJ6A++-FM/S/B/2.5	F male	F male	Outdoor	2.5
96400030	FM-TDJ6A++-FM/S/B/3.0	F male	F male	Outdoor	3.0
96408005	FM-TDJ6A++/S/B/0.5	F male	BLUNT CUT	Outdoor	0.5
96411002	FM-TDJ6A++-FM/B/0.2	F male	F male	Indoor	0.2
96411003	FM-TDJ6A++-FM/B/0.3	F male	F male	Indoor	0.3
96411004	FM-TDJ6A++-FM/B/0.4	F male	F male	Indoor	0.4
96411005	FM-TDJ6A++-FM/B/0.5	F male	F male	Indoor	0.5
96411307	FM-TDJ6A++-FM/B/0.7	F male	F male	Indoor	0.7
96490010	5/8MU-TDJ6A++-FM/S/B/1.0	5/8 Male swivel nut	F male	Outdoor	1.0

Other configurations available upon request
 WN = Wing Nut; S = Sealed (Watertight w/ O-Ring); W = White; B = Black



Cabelcon TrueDrop™ Jumper Portfolio

Drop Jumpers – RG59 Fly Leads and RG6 Drop Jumpers 0.2 m to 15+ m

RG6 Black PVC A+ Tri-Shield Cable (Alu Foil/Tin-Plated Copper Braid/Alu Foil)						
96114001	FM-TDJ6A+-FM/S/B/0.35	F male	F male	Outdoor	0.35	
96114002	FM-TDJ6A+-FM/S/B/0.2	F male	F male	Outdoor	0.2	
96114003	FM-TDJ6A+-FM/S/B/0.3	F male	F male	Outdoor	0.3	
96114004	FM-TDJ6A+-FM/S/B/0.4	F male	F male	Outdoor	0.4	
96114005	FM-TDJ6A+-FM/S/B/0.5	F male	F male	Outdoor	0.5	
96114006	FM-TDJ6A+-FM/S/B/0.6	F male	F male	Outdoor	0.6	
96114007	FM-TDJ6A+-FM/S/B/0.7	F male	F male	Outdoor	0.7	
96114008	FM-TDJ6A+-FM/S/B/0.8	F male	F male	Outdoor	0.8	
96114010	FM-TDJ6A+-FM/S/B/1.0	F male	F male	Outdoor	1.0	
96114015	FM-TDJ6A+-FM/S/B/1.5	F male	F male	Outdoor	1.5	
96133002	FF-TDJ6A+-FF/S/B/0.2	F Female	F Female	Outdoor	0.2	
96134003	FM-TDJ6A+-FF/S/B/0.3	F male	F Female	Outdoor	0.3	
96134004	FM-TDJ6A+-FF/S/B/0.4	F male	F Female	Outdoor	0.4	
96134005	FM-TDJ6A+-FF/S/B/0.5	F male	F Female	Outdoor	0.5	
96410108	90-FM-TDJ6A+-FM/S/B/0.8	F Male right angle	F male	Outdoor	0.8	
96420006	FM SC-TDJ6A+-FM/B/0.6	F male SpringConnect	F male	Indoor	0.6	
96422005	FM SC-TDJ6A+-FM SC/B/0.5	F male SpringConnect	F male SpringConnect	Indoor	0.5	
RG6 Black PVC A++ Tri-Shield Cable (Copper Foil/Copper Braid/Copper Foil)						
80420020	JPTL202-TDJ6CuA++-S/B/2.0	HL TL202	BLUNT CUT	Outdoor	2.0	
80423105	JPTL232-TDJ6CuA++-FM/S/B/0.5	HL TL232	F male	Outdoor	0.5	
80424105	JPTL244-TDJ6CuA++-FM/S/B/0.5	HL TL244	F male	Outdoor	0.5	
80430105	JPTL303-TDJ6CuA++-FM/S/B/0.5	HL TL303	F male	Outdoor	0.5	
80431105	JPTL313-TDJ6CuA++-FM/S/B/0.5	HL TL313	F male	Outdoor	0.5	
80436205	JPTL363-TDJ6CuA++-90-FM/S/B/0.5	HL TL363	F male	Outdoor	0.5	
80440105	JPTL404-TDJ6CuA++-FM/S/B/0.5	HL TL404	F male	Outdoor	0.5	
80441105	JPTL414-TDJ6CuA++-FM/S/B/0.5	HL TL414	F male	Outdoor	0.5	
80452105	JPTL525-TDJ6CuA++-FM/S/B/0.5	HL TL525	F male	Outdoor	0.5	
96110402	FM-TDJ6CuA++-FM/S/B/0.2	F male	F male	Outdoor	0.2	
96110403	FM-TDJ6CuA++-FM/S/B/0.3	F male	F male	Outdoor	0.3	
96110404	FM-TDJ6CuA++-FM/S/B/0.4	F male	F male	Outdoor	0.4	
96110405	FM-TDJ6CuA++-FM/S/B/0.5	F male	F male	Outdoor	0.5	
96180403	FM-TDJ6CuA++-3.5/12F/S/B/0.3	F male	3.5/15 Female	Outdoor	0.3	
96180404	FM-TDJ6CuA++-3.5/12F/S/B/0.4	F male	3.5/15 Female	Outdoor	0.4	
96180405	FM-TDJ6CuA++-3.5/12F/S/B/0.5	F male	3.5/15 Female	Outdoor	0.5	
96180406	FM-TDJ6CuA++-3.5/12F/S/B/0.6	F male	3.5/15 Female	Outdoor	0.6	
96500007	FM-TDJ6CuA++-FM/S/B/0.7	F male	F male	Outdoor	0.7	
96503005	FM-TDJ6CuA++-FF/S/B/0.5	F male	F Female	Outdoor	0.5	
96514007	5/8MU-TDJ6CuA+-FM/S/B/0.7	5/8 Male swivel nut	F male	Outdoor	0.7	
96514010	5/8MU-TDJ6CuA+-FM/S/B/1.0	5/8 Male swivel nut	F male	Outdoor	1.0	

Other configurations available upon request
 WN = Wing Nut; S = Sealed (Watertight w/ O-Ring); W = White; B = Black



Cabelcon TrueDrop™ Jumper – Cable Attributes

Corning® TrueDrop™ Jumper Cable Attributes									
Cable Types	Centre Conductor	Insulation	1.Screen	2.Screen	3.Screen	Jacket	Transfer Impedance	Shielding	Photo
RG59 Black PVC	Solid Hard Copper	Gas Injected	Bonded	Tinned Copper	Bonded	PVC Black	A+ and A++ available	A+ and A++ available	
	Diameter 0.81 mm	Foam PE	AL-Pet foil	Wire 70%	AL-Pet foil	Diameter 5.6 mm			
RG59 White HFFR-Dca	Solid Hard Copper	Gas Injected	Bonded	Tinned Copper	Bonded	HFFR White	A+ and A++ available	A+ and A++ available	
	Diameter 0.81 mm	Foam PE	AL-Pet foil	Wire 70%	AL-Pet foil	Diameter 5.6 mm			
RG59 White PVC	Solid Hard Copper	Gas Injected	Bonded	Tinned Copper	Bonded	PVC White	A+ and A++ available	A+ and A++ available	
	Diameter 0.81 mm	Foam PE	AL-Pet foil	Wire 70%	AL-Pet foil	Diameter 5.6 mm			
RG6 Black PVC	Solid Copper	Gas Injected	Bonded	Tinned Copper	Bonded	PVC Black	A+ and A++ available	A+ and A++ available	
	Diameter 1.02 mm	Foam PE	AL-Pet foil	Wire 68%	AL-Pet foil	Diameter 6.6 mm			
RG6 White PVC	Solid Copper	Gas Injected	Bonded	Tinned Copper	Bonded	PVC White	A+ and A++ available	A+ and A++ available	
	Diameter 1.02 mm	Foam PE	AL-Pet foil	Wire 68%	AL-Pet foil	Diameter 6.6 mm			
RG6Cu Black PVC	Solid Copper	Gas Injected	Bonded	Annealed Copper	Not Bonded	PVC Black	A+ and A++ available	A+ and A++ available	
	Diameter 1.02 mm	Foam PE	CuPet foil	Wire 70%	CuPet foil	Diameter 6.6 mm			

Cabelcon TrueDrop™ Jumper Portfolio

– General Specifications

Features

- Conical Interface
- O-Ring
- Grooved Nut
- Enhanced Compression Technology
- Support Sleeve: Dielectric Stop and Contact Heel
- Enhanced F Nut Thread

Technical Data	F Male RG6 A++	F male RG59 A++	F Male SpringConnect RG59 A++	F Male Wing Nut RG59 A++
				
	Rendering 99909578	Rendering 99909577	Rendering 99909575	Rendering 99909577 Wing Nut
Transfer Impedance (CoMet) 5-30 Mhz	Class A++	Class A++	Class A++	Class A++
Screening Attenuation (CoMet) 30-3.000 Mhz	Class A++	Class A++	Class A++	Class A++
Intermodulation 3rd Order @ 2 x 20 dBm	< -160 dBc	< -160 dBc	< -160 dBc	< -160 dBc
Sealing Test (IEC IP-code)	IP X8 1 meter/24 hour			
Return Loss @ 1.0 GHz	< -23 dB	< -25 dB	< -23dB	< -25 dB
Return Loss @ 2.0 GHz	< -22 dB	< -23 dB	< -20dB	< -23 dB
Return Loss @ 3.0 GHz	< -22 dB	< -19 dB	< -16dB	< -19 dB
Insertion Loss @ 1.0 GHz	< -0.10 dB	< -0.13 dB	< -0.12 dB	< -0.13 dB
Insertion Loss @ 2.0 GHz	< -0.10 dB	< -0.14 dB	< -0.13 dB	< -0.14 dB
Insertion Loss @ 3.0 GHz	< -0.12 dB	< -0.18 dB	< -0.16 dB	< -0.18 dB
Maximum Tensile Strength	> 38 Kgf; >373 N	>30 Kgf >324 N	>30 Kgf >294 N	>30 Kgf >324 N

Cabelcon TrueDrop™ Compression Tools and Strippers

Drop Compression Tools and Strippers

Product Type/Name	Part Number	Product Description
Compression Tools		
COMPRESSION TOOL MINI/RG59/6 MULTIMEDIA	98029075	Compression tool IEC/F/BNC/SHORT
TD/CX3 POCKET TOOL 59/6 F & IEC COMPRESSION TOOL	98029070	Compression tool IEC/F
COMPRESSION TOOL TD/CX3 RG59/6 WB Wall box compression tool	98029046-02	Wall box compression tool (if limited space is available, no rotating head)
COMPRESSION TOOL TD/CX3 ALL SIZE F TD. BNC & IEC for RG6/7/11/59	98029072-01	For all listed F/FM/IEC M & F/BNCM compression connectors (RG59/6/11)
COMPRESSION TOOL RG11 UNIVERSAL	98029073	For all listed RG11/Tellu7 compression connectors
TD/CX3 POCKET TOOL 59/6 BNC Male COMPRESSION TOOL	98029074	Compression tool pocket version for BNC male connector
PLUNGER TIPS KIT FOR 98029072+46 TrueDrop	98029997-01	Plunger tip kit Cabelcon TrueDrop™ for 98029072 & 98029072
Cable Strippers		
CABLE STRIPPER ROTARY RG 6/59 FOR MINI. ALM AND UNIV CRIMP	98501010	For 3.0-7.0 mm cable
CABLE STRIPPER RG6/59 W. HEX 11 SPANNER	98501040-02	For 3.0-7.0 mm cable
CABLE STRIPPER O/D RG6/59 WB FOR OUTDOOR PE CABLE	98501080	Wall Box Cable Stripper (if limited space is available)
CABLE STRIPPER I/D RG6/59 WB FOR INDOOR PVC CABLE	98501083	Wall Box Cable Stripper (if limited space is available)
CABLE STRIPPER ROTARY RG11 FOR COMP. AND CRIMP ONLY	98501102	For 10.0-11.00 mm cable
CABLE STRIPPER LDT MINI	98500995	Cable stripper Mini, for 4.0 - 5.0 mm cables
REPLACEMENT BLADE 98501010/98501011	98501015	Replacement blade for 98501010 + 98501011
CABLE STRIPPER MINI Ø5 WB	98501085	Wall box cable stripper for mini 5.0 mm cable (if limited space is available)
CABLE STRIPPER - HARDLINE. RG8. RG11 and RG213	98501105	Cable stripper RG11/8/213, for trunk connector installation
Torque wrench		
TORQUE WRENCH HEX 14 mm 4.5NM TW 409 4.5NM	98029095	Torque wrench 4,5NM, for HEX 14 mm nut (FM)
TORQUE WRENCH HEX 22 mm 9.0NM 3.5/12M	98029110	Torque wrench 9,0NM, for HEX 22 mm nut (3.5/12M)
TORQUE WRENCH AH HEX 11 mm 4.5NM	98029080-01	Torque wrench 4,5NM, for HEX 11 mm nut (F)
Mounting, installation & rubber support		
RUBBER TOOL FOR CABLE SUPPORT CABLE DIAMETER 3.0-12.0 mm	98028785	Supporting grip on cable when pushing connector on cable
INSTALLATION TOOL FOR F CONN.	98028798-02	Installation/tightening tool for F Interface (HEX 11 mm)
INSTALLATION TOOL FOR BNC CONN HT-2206	98028796	Installation/tightening tool for BNC Interface
MOUNTING TOOL FOR GF-UE W. PLASTIC HANDLE	98028804	Mounting/push tool for F male HEX 11 mm connector mounting
MOUNTING TOOL FOR F CONNECTOR W. PLASTIC HANDLE	98028805-01	Mounting/push tool for F male connector mounting
LOCKING terminator tools		
LOCKING TERMINATOR TOOL SHORT	98030005	Locking terminator tool for 99901915 & 99901917 (LT-R75ST)
CTPT-R75 Tool for Theft-Proof Terminator	98030006	Locking terminator tool for 99901915 & 99901917 (LT-R75ST)
Security shield & tool		
SECURITY SHIELD Ø 20.0 mm	98028795	Security Lock for drop F connectors
SECURITY SHIELD TOOL Ø 20 FOR F-CRIMP AND F-COMPRESSION	98028794-01	Security Lock tool for 98028795, security shield Ø 20.0 mm
Seal ring		
SEAL RING 1/2" FOR F CONN	99900902	Drop F connector Interface external interface seal
HEX crimp tools		
CRIMP TOOL ALM/RG11 .324/.475	98028830-01	Hex crimp tool size .324in/.475in (ALM / RG11 ALM)
CRIMP TOOL ALM/UNIV .324/.360	98028840-01	Hex crimp tool size .324in/.360in (ALM / UNIV&EPA)
CRIMP TOOL UNIV/RG11 .360/.475	98028850-01	Hex crimp tool size .360in/.475in (UNIV&EPA / RG11 ALM&EPA)
Conductor cleaner		
CONDUCTOR CLEANER CC-200EUR	256	Cable Centre Conductor Cleaner



98501010



98029070



98028795



98501080



98029046

Adapters and Accessories

Product Type/Name	Part Number	Product Description
180-Degree Adapters	86555500	180-FF-FF-HQ
90-Degree Adapters	99530035-03	90-FM-FF-HQ
90-Degree Adapters	99900600	90-FM-FF ANGEL
Adapters	87303002	BNCF 75 Ohm — BNCF 75 Ohm
Adapters	87304500-01	BNCF 75 Ohm — IECM
Adapters	87304900-01	BNCF 75 Ohm — 3.5/12M
Adapters	87305502	BNCF75 Ohm — FF HQ SHORT
Adapters	87315502-01	BNCF 75 Ohm — FF HQ
Adapters	87535502-03	FM SC-FF LONG MODEL HQ
Adapters	87535510-01	FM PUSH ON-FF HQ
Adapters	99455510-01	IECM-FF-HQ
Adapters	99475510-02	IECF-FF-HQ
Adapters	99534510	FM-IECM
Adapters	99534710	FM-IECF
Adapters	99550021	F-81-HQ CHASSIS
Adapters	99550025-03	F-81-HQ-1 Nitin CC
Adapters	99550044-02	F-81-HQ GROUNDING BLOCK CC
Adapters	99550045-02	F-81HQ DUAL GROUNDING BLOCK
Adapters	99550050-01	F-81-HQ-D Nitin CC
Adapters	99900450	F-71-M-S
Adapters	99900500	F-81
Attenuators F Male - F Female	90000005	ATTENUATOR FM-FF 3 dB
Attenuators F Male - F Female	90000010	ATTENUATOR FM-FF 6 dB
Attenuators F Male - F Female	90000015	ATTENUATOR FM-FF 10 dB
Attenuators F Male - F Female	90000025	ATTENUATOR FM-FF 16 dB
Attenuators F Male - F Female	90000030	ATTENUATOR FM-FF 20 dB
Industrial Connectors	99900513	F-61DD-HQ W/NUT & TEETH WASHER
Industrial Connectors	99900514	F-61-HQ-2 (PCB-MOUNT)
Industrial Connectors	99900515-02	F-61-90SRP-D-HQ (PCB-MOUNT)

Product Type/Name	Part Number	Product Description
Locking Terminators	99901850	CTP-R75 SHORT W.THREAD
Locking Terminators	99901910	LT-R75S SHORT
Locking Terminators	99901915	LT-R75ST SHORT W.THREAD
Locking Terminators	99901917	LT-R75ST SHORT W.THREAD Nitin
Nut & O-ring - IECM-CX3	99900570-01	M14 NUT + O-RING F. CX3™+CRIMP
Nuts & Washers	99900550-01	NUT AND WASHER FOR F-81
Nuts & Washers	99900552	NUT AND TEETH WASHER F-81
Port Terminators	89450006	IECM-R75 PORT TERMINATOR
Port Terminators	89535502-01	FM R75-FF MALE TERMINATOR Nitin
Port Terminators	99902004-02	FM SC-R75 1/4-HQ Nitin
Port Terminators	99902008-01	TR-59-1/4-HQ Nitin



99900518-01



99900550-01



99902008-01



99550045-02



99900552



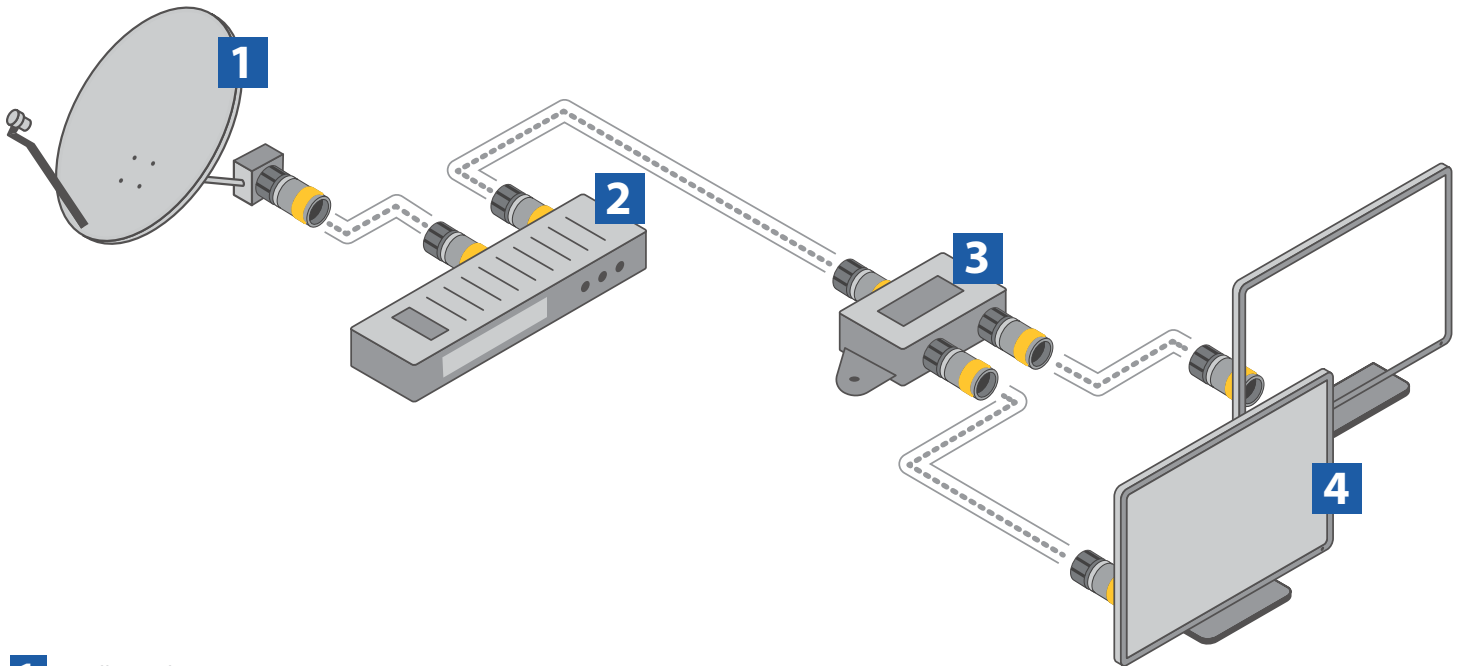
99901915



Cabelcon Satellite Portfolio

From physical barriers around installation sites to adverse weather conditions, we understand the challenges installers face in the field. That is why our satellite and wireless products are built with features that are bendable for fast and easy installation.

Satellite Portfolio



- 1** Satellite Dish
- 2** Satellite Receiver
- 3** Splitter
- 4** Television

Satellite Portfolio

Features/Interface

Mating Surface: Self-Centering and maximising electrical contact

1. Compensating for varying Female surface qualities
2. Ensuring 360-Degree RF tightness

F Nut: Larger thread engagement area and finger friendly design

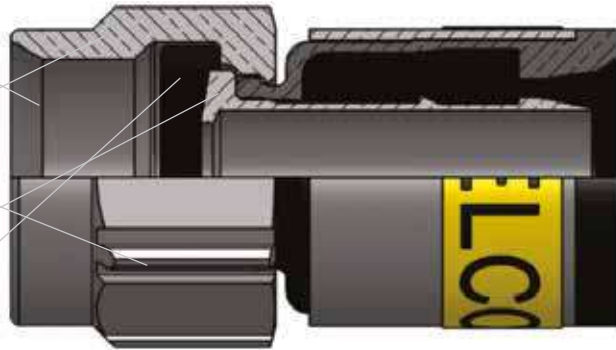
1. Compensates for varying F Female thread qualities
2. More strong mechanical contact between F Female and F Male ports prevents loosening of connectors
3. Nut design eases tightening F Nut on port

Dielectric Stop

1. Prevention of pass/push through

Improved Interface Seal

1. O-ring not damaged by thread/installation



Item Number	Name
99909621-05	F-59-TD SELF INSTALL 3.9 NiTin
99909631-04	F-6-TD SELF INSTALL 4.9 NiTin
99909636-04	F-6-TD SELF INSTALL 5.1 NiTin
99909621	F-59 3.7 SELF INSTALL NiTin
99909652	F-59 3.9 SELF INSTALL ZN
99909665-06	F-MINI-CX3 SELF INSTALL 5.1 HP
99909670-02	F-6-CX3 SELF INSTALL 5.1 HP
99909671	F-6-CX3 SELF INSTALL 4.9 HP



98501080



99909631



99909670-02-B2H



98501040-02



98501010



99909670-02-B1



Tools and Resources

For more Information
please go to our website:
www.Cabelcon.com

Request for Quote
[+ 45 55 98 55 99](tel:+4555985599)

Customer Care
[+ 45 55 98 55 99](tel:+4555985599)

To find the appropriate product to fit
your cable, please use our online tool,
using your cable as the input.

Search for Cables

Manufacturer:

Cable description:
Full or part of description.

	Minimum	Maximum		Sorted by
Inner conductor:	<input type="text"/>	<input type="text"/>	in mm.	<input type="radio"/>
Dielectric:	<input type="text"/>	<input type="text"/>	in mm.	<input type="radio"/>
Outer conductor:	<input type="text"/>	<input type="text"/>	in mm.	<input type="radio"/>
Outer sheath:	<input type="text"/>	<input type="text"/>	in mm.	<input type="radio"/>
Cabelcon Type (CC Type):	<input type="text"/>			<input type="radio"/>

Search cable for:

Connectors, splice connectors and jumpers >>	<input type="button" value="Search"/>
Splice reducers and SR jumpers >>	<input type="button" value="Search"/>
Crimp connectors >>	<input type="button" value="Search"/>
Compression connectors >>	<input type="button" value="Search"/>



LET'S CONNECT!

Amphenol Cabelcon ApS • Industriparken 10 • DK-4760 Vordingborg, DENMARK
+45 55 98 55 99 • FAX: +45 55 98 55 04 • www.Cabelcon.com

Amphenol Cabelcon reserves the right to improve, enhance and modify the features and specifications of Amphenol Cabelcon products without prior notification. A complete listing of the trademarks of Amphenol Cabelcon is available at www.Cabelcon.com/opcomm/trademarks. All other trademarks are the properties of their respective owners. Amphenol Cabelcon is ISO 9001 certified.
© 2019, 2021, 2022 Amphenol Cabelcon. All rights reserved. September 2022